

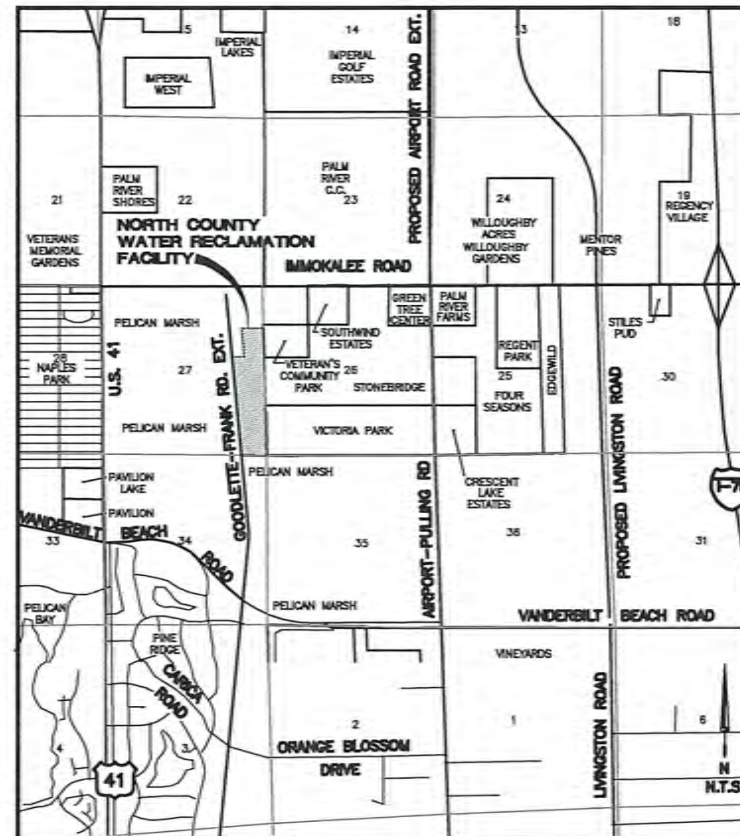
COLLIER COUNTY WATER-SEWER DISTRICT

NORTH COUNTY WATER RECLAMATION FACILITY VACTOR TRUCK DISPOSAL MODIFICATION & EXPANSION COUNTY PROJECT NO. 70148.24



INDEX OF SHEETS

SHEET NO.	TITLE
G	GENERAL
G-1	- TITLE SHEET
G-2	- GENERAL NOTES
G-3	- GENERAL SITE LOCATION MAP
C	CIVIL
C-1	- EXISTING SITE PLAN
C-2	- SITE DEMOLITION PLAN
C-3	- PROPOSED SITE PLAN
C-4	- CIVIL/SITE DETAILS
C-5	- STORMWATER POLLUTION PLAN & DETAILS
M	MECHANICAL
M-1	- PROPOSED MECHANICAL PLAN
M-2	- MECHANICAL SECTIONS & DETAILS I
M-3	- MECHANICAL SECTIONS & DETAILS II
S	STRUCTURAL
S-1	- STRUCTURAL NOTES
S-2	- STRUCTURAL PLAN-DISPOSAL FACILITY
S-3	- STRUCTURAL SECTION/DETAILS-DISPOSAL FACILITY



LOCATION MAP
N.T.S.



950 Encore Way
Naples, FL. 34110
Phone: (239) 254-2000
Florida Certificate of
Authorization No.1772

BOARD OF COUNTY COMMISSIONERS

RICK LOCASTRO	DISTRICT 1
CHRIS HALL	DISTRICT 2
BURT L. SAUNDERS	DISTRICT 3
DAN KOWAL	DISTRICT 4
WILLIAM L. MCDANIEL, JR.	DISTRICT 5

COUNTY MANAGER

AMY PATTERSON

PUBLIC UTILITIES DIVISION

GEORGE YILMAZ, PH.D.	PUBLIC UTILITIES ADMINISTRATOR
ROBERT VON HOLLE	WASTEWATER DIVISION DIRECTOR
MATT MCLEAN, P.E.	ENGINEERING AND PROJECT MANAGEMENT DIRECTOR
SHON FANDRICH, P.E.	PRINCIPAL PROJECT MANAGER
DAMIAN CUADRADO, P.E.	PROJECT MANAGER

**ISSUED FOR BIDDING
FEBRUARY, 2024**



GENERAL REQUIREMENTS

- A. Collier County Public Utility Standard Details and Specifications (County Utilities Standards Manual) are applicable to this project and are made a part of the Contract Documents by reference. Refer to latest edition and revisions of the County Utilities Standards. In the event of conflict between the County Utilities Standards and the Contract Documents, the more stringent requirement shall apply.
- B. Prior to commencing work, the Contractor shall submit for approval of the following:
 - 1. Construction Schedule in bar chart format using Microsoft Project software or approved equal.
 - 2. Schedule of Values for progress payments.
- C. Shop drawings for all equipment and materials must be approved prior to manufacture, installation or payment by the Owner.
- D. After Substantial Completion and prior to Final Completion, the Contractor shall submit as-built drawings. The Contractor shall markup actual installed length and location of material and equipment. The Contractor shall sign and date the markup as-built drawings.

GENERAL NOTES

- A. All elevations refer to National Geodetic Vertical Datum (NGVD)-1929. The as-built drawings shall reference the North American Vertical Datum (NAVD)-1988. NGVD = NAVD + 1.24'.
- B. It is the Contractor's responsibility to replace all existing landscaping, (i.e. sod, brushes, tree, etc.) sprinkler piping, sprinkler heads and fencing that may have to be removed or has been damaged during construction. Contractor to replace or repair any damaged property or improvements to a condition equal or better than existed prior to construction.
- C. It is the Contractor's responsibility to verify location and depth of all existing underground utilities prior to construction.
- D. It is the Contractor's responsibility to field locate and protect any existing utility.
- E. Extreme caution to be used when excavating. Number and location of existing utilities have been noted based on the information furnished by others.
- F. Damage to existing utilities and property during construction shall be repaired and/or replaced at Contractor's expense.
- G. All driveway, sidewalks and other existing facilities, utilities and improvements shall be restored equal to pre-construction conditions or better and to the satisfaction of the Engineer.
- H. For all work within the NCWRF- Operation of construction equipment is only permitted Monday through Friday, 7:30 am to 5:00 pm. obtain written consent from the plant manager for operation of construction equipment during any other period. Do not carry out non-emergency work, including equipment moves, on Saturdays or Sundays without prior written authorization by the plant manager.
- I. It is the contractor's responsibility to use non-destructive methods (Xray, radar etc.) to locate embedded conduit or reinforcing in concrete prior to demolition, saw cutting and core drilling. Relocate and reconstruct conduits affected per electrical specifications.

SPECIAL PROJECT CONDITIONS

- 1. The contractor shall coordinate all work activities and storage areas with County Project Manager to minimize disruption of existing operation. The existing Vector Truck Disposal Facility is in active operation. During work affecting the existing facility, temporary measures shall be taken to minimize disruption.
- 2. The contractor shall assist in relocating the existing stored material in the stone storage bin prior to its demolition.
- 3. The existing access road shall be relocated upon completion of the demolition of the existing stone storage bin. The access road shall remain in service at all time.

LISTING OF RESPONSIBLE ENGINEERS

CIVIL/MECHANICAL/STRUCTURAL: THIS ITEM HAS BEEN DIGITALLY SIGNED AND SEALED BY DAVID W. SCHMITT, PE DAVID SCHMITT, P.E. ON THE DATE ADJACENT TO SEAL.
FLORIDA PE LICENSE 41671

PRINTED COPIES OF THIS DOCUMENT ARE NOT CONSIDERED SIGNED AND SEALED AND THE SIGNATURE MUST BE VERIFIED ON ANY ELECTRONIC COPIES.

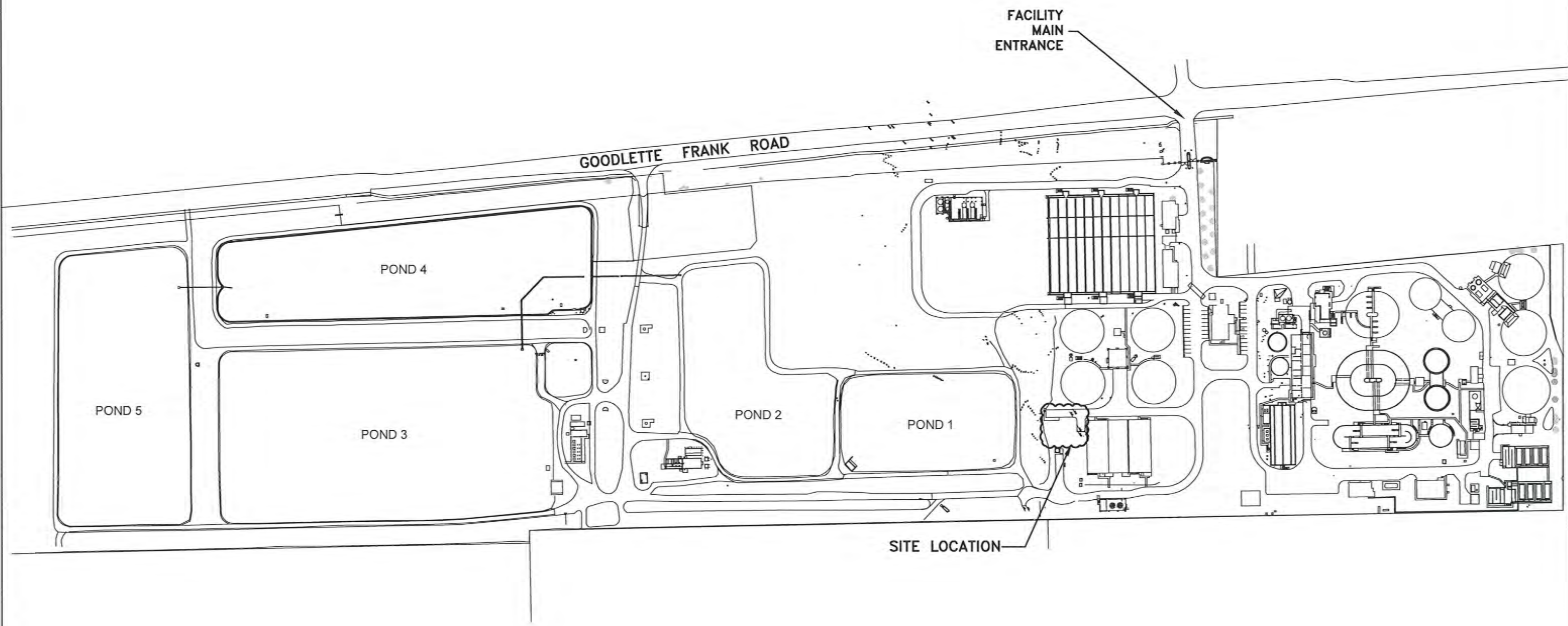
SHEET NO.	TITLE
G-1	- TITLE SHEET
G-2	- GENERAL NOTES
G-3	- GENERAL SITE LOCATION MAP
C-1	- EXISTING SITE PLAN
C-2	- SITE DEMOLITION PLAN
C-3	- PROPOSED SITE PLAN
C-4	- CIVIL/SITE DETAILS
C-5	- STORMWATER POLLUTION PLAN & DETAILS
M-1	- PROPOSED MECHANICAL PLAN
M-2	- MECHANICAL SECTIONS & DETAILS I
M-3	- MECHANICAL SECTIONS & DETAILS II
S-1	- STRUCTURAL NOTES
S-2	- STRUCTURAL PLAN-DISPOSAL FACILITY
S-3	- STRUCTURAL SECTION/DETAILS-DISPOSAL FACILITY

ABBREVIATIONS:

ANSI	AMERICAN NATIONAL STANDARDS INSTITUTE	INV	INVERT
APT	APARTMENT	L	LEFT OF CENTERLINE
ARV	AIR RELEASE VALVE	LF	LINEAR FEET
ASTM	AMERICAN SOCIETY FOR TESTING AND MATERIAL	LN	LANE
AVE	AVENUE	MAX	MAXIMUM
AWWA	AMERICAN WATER WORKS ASSOCIATION	MH	MANHOLE
BE	BURIED ELECTRIC	MIN	MINIMUM
BLVD	BOULEVARD	MJ	MECHANICAL JOINT
B/L	BASE LINE	NO.	NUMBER
BM	BENCH MARK	NTS	NOT TO SCALE
BT	BURIED TELEPHONE	OBG	OPTIONAL BASE GROUP
BV	BUTTERFLY VALVE	OC/EW	ON CENTER EACH WAY
CA	ASBESTOS CEMENT	PGL	PROFILE GRADE LINE
CC	CENTER TO CENTER	PL	PLACE
CCT	CHLORINE CONTACT TANK	PPW	POWER POLE WOOD
CI	CAST IRON	PPC	POWER POLE CONCRETE
CL	CLASS/CENTERLINE	PROP	PROPOSED
CLY	CLAY	PSI	PER SQUARE INCH
CO	CLEANOUT	PVC	POLYVINYL CHLORIDE
CONC	CONCRETE	PVMT	PAVEMENT
CORP.	CORPORATION	R	RIGHT OF CENTERLINE
CP	CONTROL PANEL	RCP	REINFORCED CONCRETE PIPE
CPVC	CHLORINATED POLYVINYL CHLORIDE PIPE	RD	ROAD
CT	COURT	RED.	REDUCER
CTS	COPPER TUBE SIZE	REQD	REQUIRED
D.I.P.	DUCTILE IRON PIPE	RMJ	RESTRAINED MECHANICAL JOINT
DIA	DIAMETER	RW/R.O.W.	RIGHT OF WAY
DR	DRIVE/DIMENSION RATIO	SCH	SCHEDULE
ESMT	EASEMENT	SCO	SEWER CLEANOUT
ELEV	ELEVATION	SDR	STANDARD DIMENSION RATIO
EOP	EDGE OF PAVEMENT	SMH	SANITARY MANHOLE
EX	EXISTING	SS	SANITARY SEWER/STAINLESS STEEL
FEP	FLUORINATED ETHYLENE PROPYLENE TUBING	ST	STREET
FFE	FINISH FLOOR ELEVATION	STA	STATION
FM	FORCE MAIN	SW	SOLVENT WELD
FDOT	FLORIDA DEPARTMENT OF TRANSPORTATION	SW	SIDEWALK
FT	FEET	TYP	TYPICAL
FLG	FLANGED PIPE FITTING	UE	UNDERGROUND ELECTRIC
FO	FIBER OPTIC	VCP	VITRIFIED CLAY PIPE
GALV	GALVANIZED	WM	WATER METER/WATER MAIN
GV	GATE VALVE		
HDPE	HIGH-DENSITY POLYETHYLENE		



		950 Encore Way Naples, FL 34110 Phone: (239) 254-2000 Florida Certificate of Authorization No.1772	DESIGN BY: K.R. DRAWN BY: R.V.L. CHECKED BY: D.W.S. CAD FILE: 2023148_PLAN SET		ISSUED FOR BIDDING	COUNTY WATER-SEWER DISTRICT COLLIER COUNTY, FLORIDA NORTH COUNTY WATER RECLAMATION FACILITY VECTOR TRUCK DISPOSAL MODIFICATION & EXPANSION GENERAL NOTES	PROJECT NO. : 2023.148 DATE : 02/24 SHEET NO. : G-2	
NO.	DATE	REVISIONS	BY					G-2



NO.	DATE	REVISIONS	BY

HM
HOLE MONTES
a Bowmian company

950 Encore Way
Naples, FL 34110
Phone: (239) 254-2000
Florida Certificate of
Authorization No. 1772

DESIGN BY: K.R.
DRAWN BY: R.V.L.
CHECKED BY: D.W.S.
CAD FILE: 2023148_PLAN SET

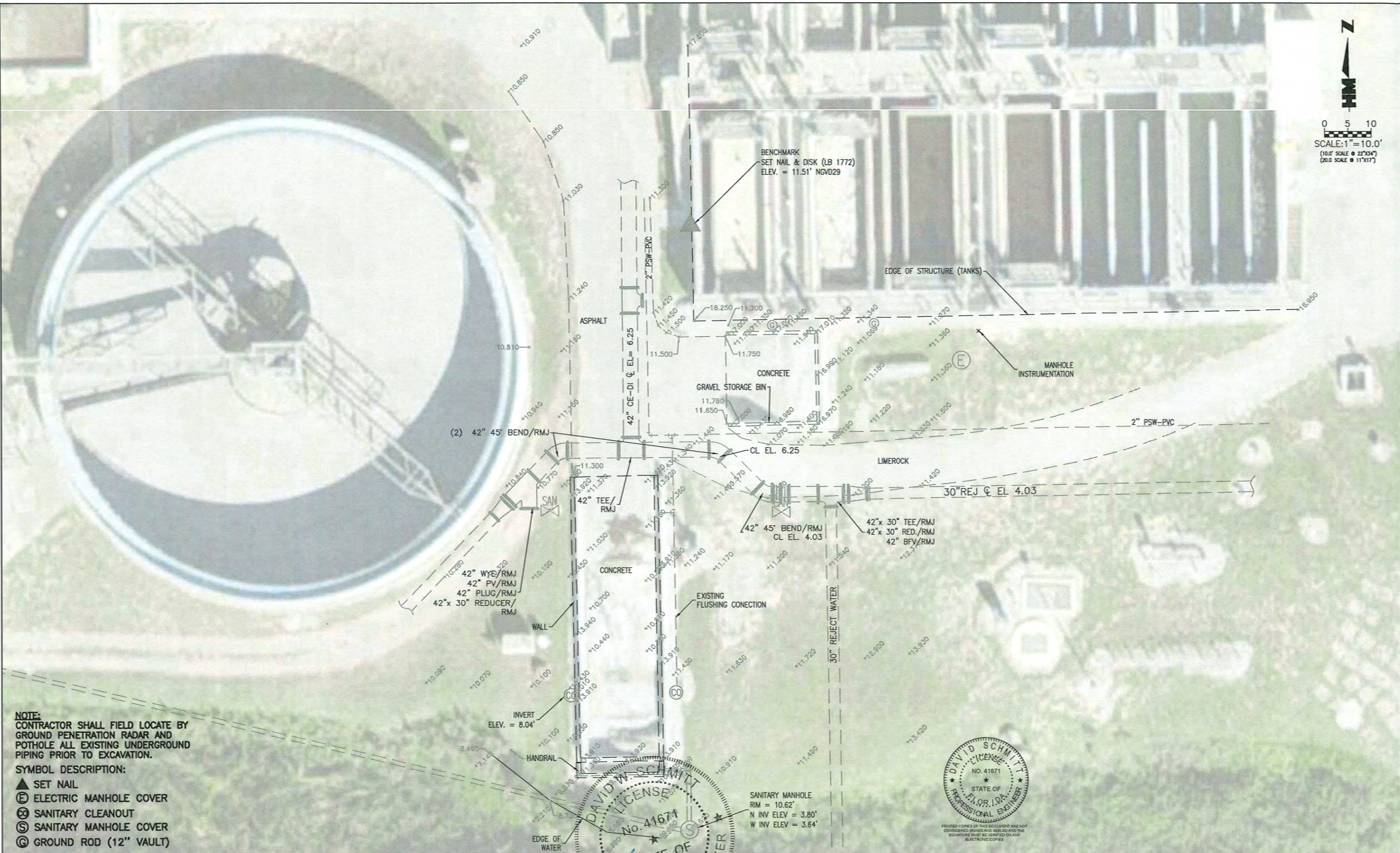
David W. Schmitt
Professional Engineer
Florida Reg. No. 41671



ISSUED FOR BIDDING

COUNTY WATER-SEWER DISTRICT
COLLIER COUNTY, FLORIDA
NORTH COUNTY WATER RECLAMATION FACILITY
VACTOR TRUCK DISPOSAL MODIFICATION & EXPANSION
GENERAL SITE LOCATION MAP

PROJECT NO.: 2023.148
DATE: 01/24
SHEET NO.: G-3



NOTE:
 CONTRACTOR SHALL FIELD LOCATE BY
 GROUND PENETRATION RADAR AND
 POTHOLE ALL EXISTING UNDERGROUND
 PIPING PRIOR TO EXCAVATION.

- SYMBOL DESCRIPTION:**
- ▲ SET NAIL
 - ⓔ ELECTRIC MANHOLE COVER
 - Ⓢ SANITARY CLEANOUT
 - Ⓞ SANITARY MANHOLE COVER
 - ⓐ GROUND ROD (12" VAULT)



PRINTED COPIES OF THIS DOCUMENT ARE NOT
 CONSIDERED BIDDING AND SEALED AND THE
 SIGNATURE MUST BE VERIFIED ON ANY
 ELECTRONIC COPIES

NO.	DATE	REVISIONS	BY



950 Encore Way
 Naples, FL 34110
 Phone: (239) 254-2000
 Florida Certificate of
 Authorization No. 1772

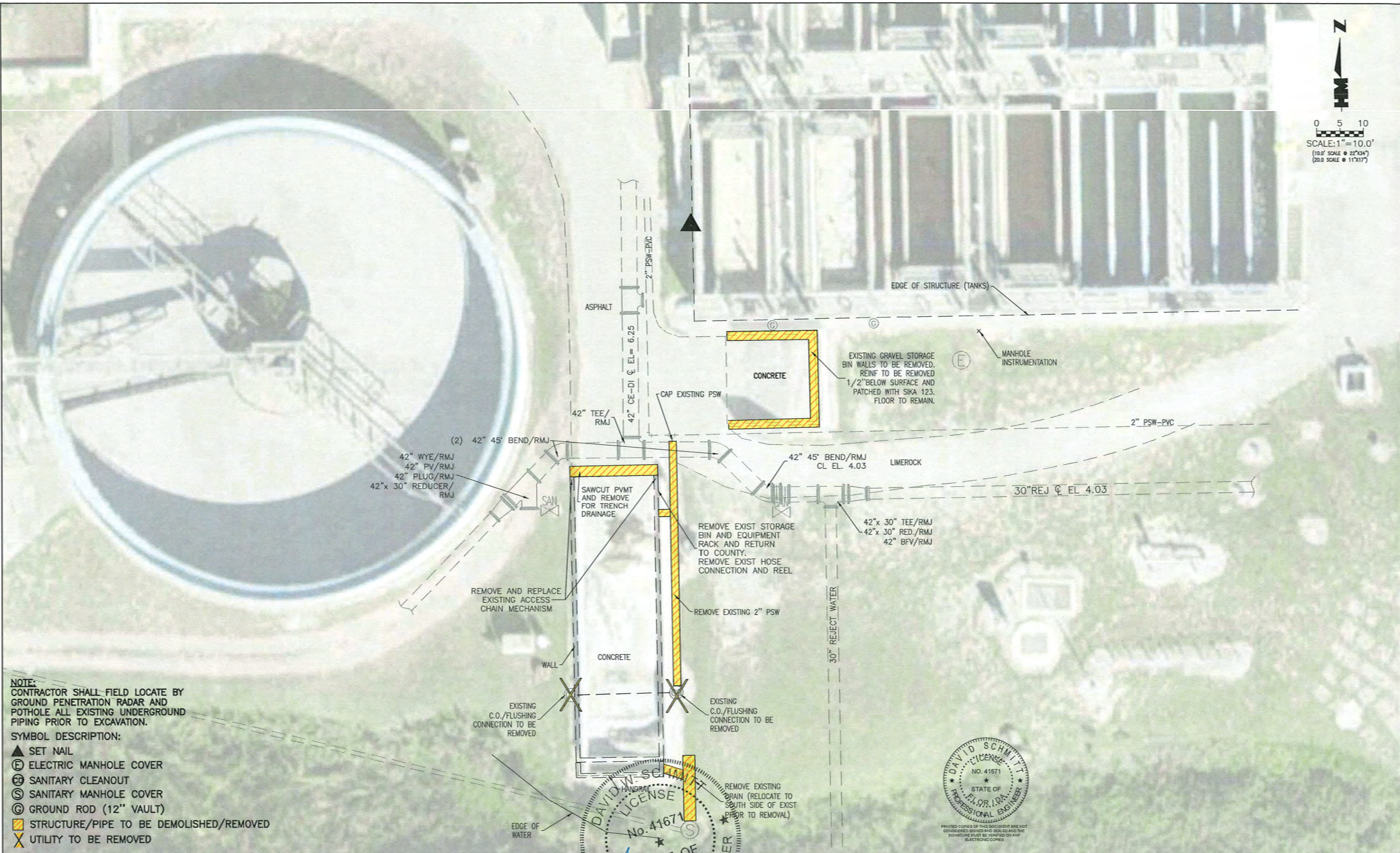
DESIGN BY: K.R.
 DRAWN BY: R.V.L.
 CHECKED BY: D.W.S.
 CAD FILE: 2023148_SITE PLAN



ISSUED FOR BIDDING

COUNTY WATER-SEWER DISTRICT
 COLLIER COUNTY, FLORIDA
 NORTH COUNTY WATER RECLAMATION FACILITY
 VACTOR TRUCK DISPOSAL MODIFICATION & EXPANSION
 EXISTING SITE PLAN

PROJECT NO.: 2023.148
 DATE: 02/24
 SHEET NO.: C-1



NOTE:
 CONTRACTOR SHALL FIELD LOCATE BY GROUND PENETRATION RADAR AND POT HOLE ALL EXISTING UNDERGROUND PIPING PRIOR TO EXCAVATION.

SYMBOL DESCRIPTION:


- ▲ SET NAIL
- Ⓜ ELECTRIC MANHOLE COVER
- Ⓢ SANITARY CLEANOUT
- Ⓢ SANITARY MANHOLE COVER
- Ⓢ GROUND ROD (12" VAULT)
- ▨ STRUCTURE/PIPE TO BE DEMOLISHED/REMOVED
- ✕ UTILITY TO BE REMOVED

DAVID SCHMITT
 LICENSE
 No. 41671
 STATE OF FLORIDA
 PROFESSIONAL ENGINEER

DAVID SCHMITT
 LICENSE
 No. 41671
 STATE OF FLORIDA
 PROFESSIONAL ENGINEER

PRINTED COPIES OF THIS DOCUMENT ARE NOT CONSIDERED SIGNED AND SEALED AND THE SIGNATURE MUST BE VERIFIED ON ANY ELECTRONIC COPIES

NO.	DATE	REVISIONS	BY


 950 Encore Way
 Naples, FL 34110
 Phone: (239) 254-2000
 Florida Certificate of
 Authorization No. 1772

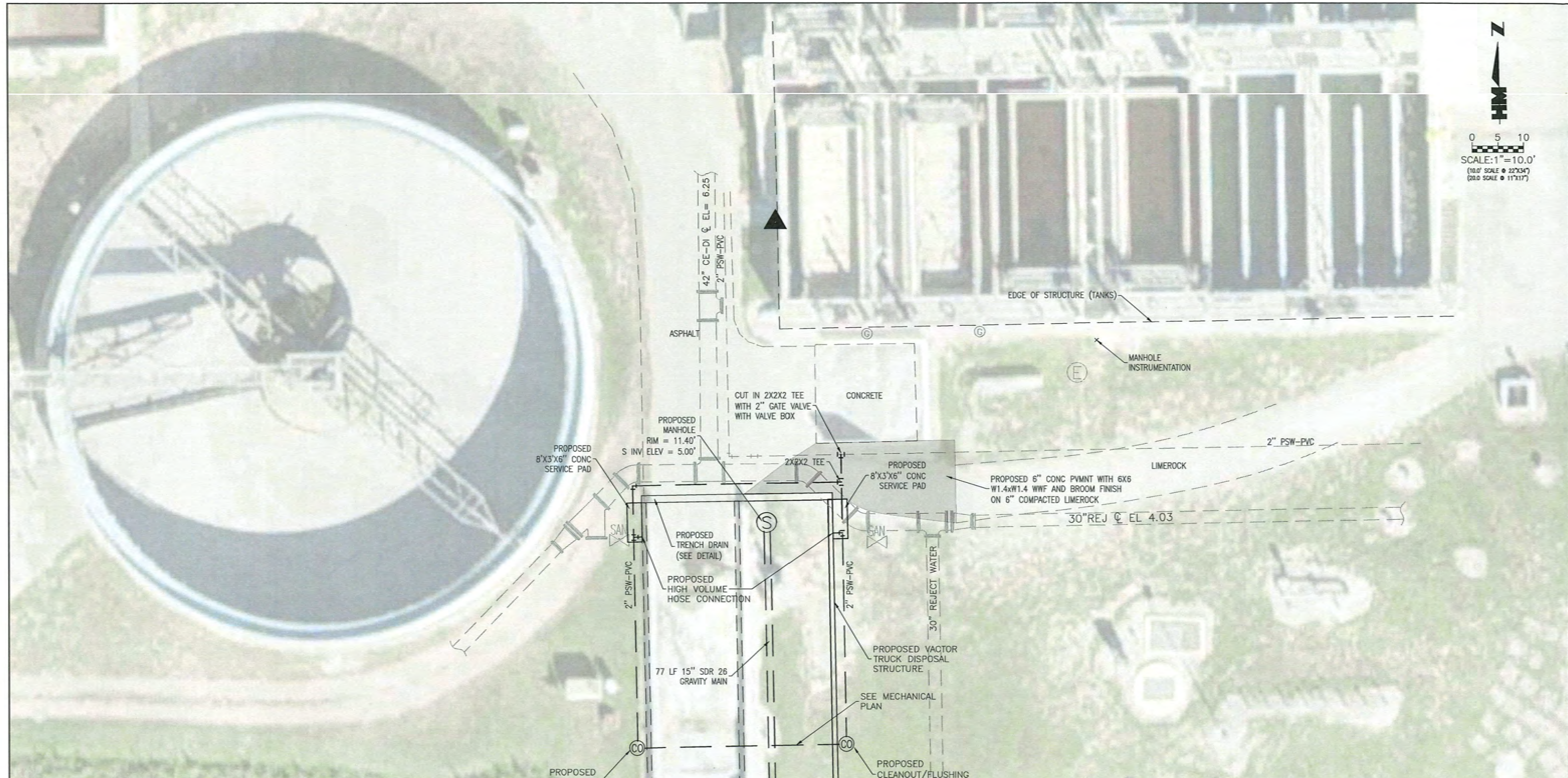
DESIGN BY: K.R.
 DRAWN BY: R.V.L.
 CHECKED BY: D.W.S.
 CAD FILE: 2023148_SITE PLAN

STATE OF FLORIDA
 PROFESSIONAL ENGINEER


ISSUED FOR BIDDING

COUNTY WATER-SEWER DISTRICT
 COLLIER COUNTY, FLORIDA
 NORTH COUNTY WATER RECLAMATION FACILITY
 VACTOR TRUCK DISPOSAL MODIFICATION & EXPANSION
 SITE DEMOLITION PLAN

PROJECT NO.: 2023.148
 DATE: 02/24
 SHEET NO.: C-2



NOTE:
 CONTRACTOR SHALL FIELD LOCATE BY GROUND PENETRATION RADAR AND POTHOLE ALL EXISTING UNDERGROUND PIPING PRIOR TO EXCAVATION.


- SYMBOL DESCRIPTION:**
- ▲ SET NAIL
 - ⓔ ELECTRIC MANHOLE COVER
 - Ⓢ SANITARY CLEANOUT
 - Ⓢ SANITARY MANHOLE COVER
 - ⓐ GROUND ROD (12" VAULT)

DAVID W. SCHMITT
 LICENSE NO. 41671
 STATE OF FLORIDA
 PROFESSIONAL ENGINEER

DAVID W. SCHMITT
 LICENSE NO. 41671
 STATE OF FLORIDA
 PROFESSIONAL ENGINEER

PRINTED COPIES OF THIS DOCUMENT ARE NOT CONSIDERED TO BE VALID UNLESS THE SIGNATURE MUST BE VERIFIED ON ANY ELECTRONIC COPIES

NO.	DATE	REVISIONS	BY


 950 Encore Way
 Naples, FL 34110
 Phone: (239) 254-2000
 Florida Certificate of
 Authorization No. 1772

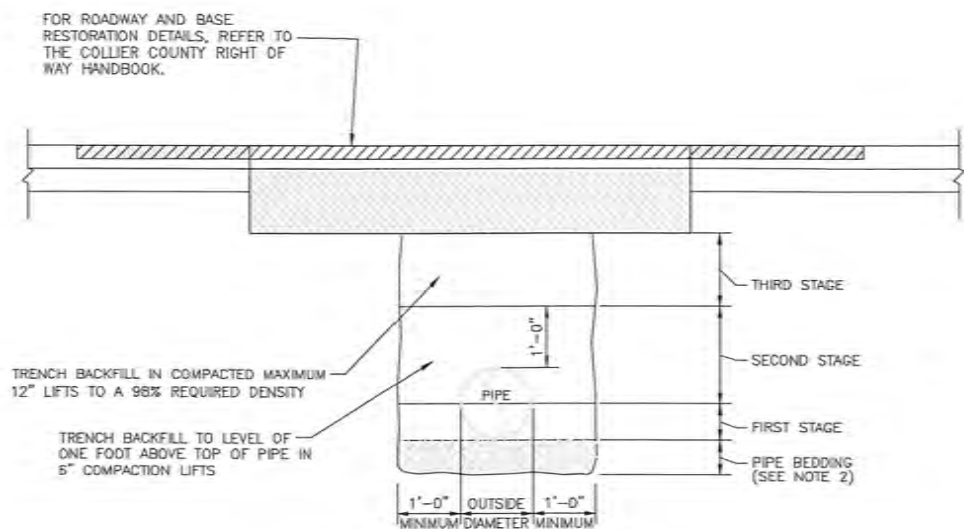
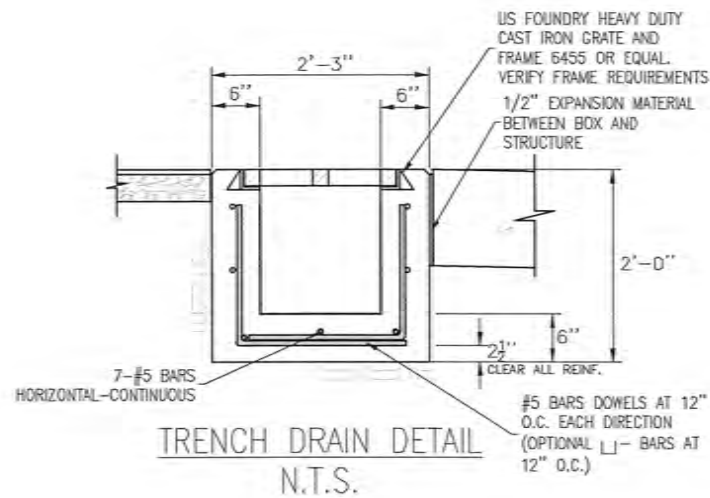
DESIGN BY: K.R.
 DRAWN BY: R.V.L.
 CHECKED BY: D.W.S.
 CAD FILE: 2023148_SITE PLAN


 Collier County

ISSUED FOR BIDDING

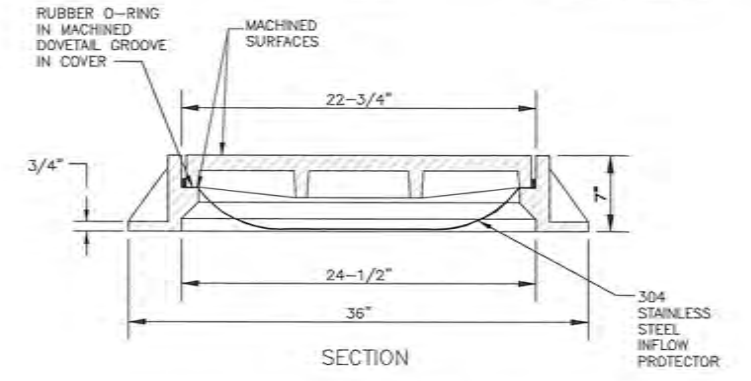
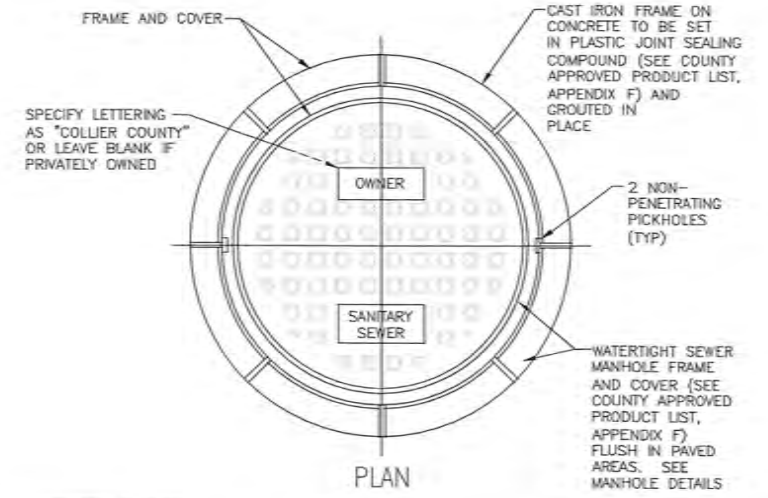
COUNTY WATER-SEWER DISTRICT
 COLLIER COUNTY, FLORIDA
 NORTH COUNTY WATER RECLAMATION FACILITY
 VACTOR TRUCK DISPOSAL MODIFICATION & EXPANSION
 PROPOSED SITE PLAN

PROJECT NO.: 2023.148
 DATE: 02/24
 SHEET NO.: C-3

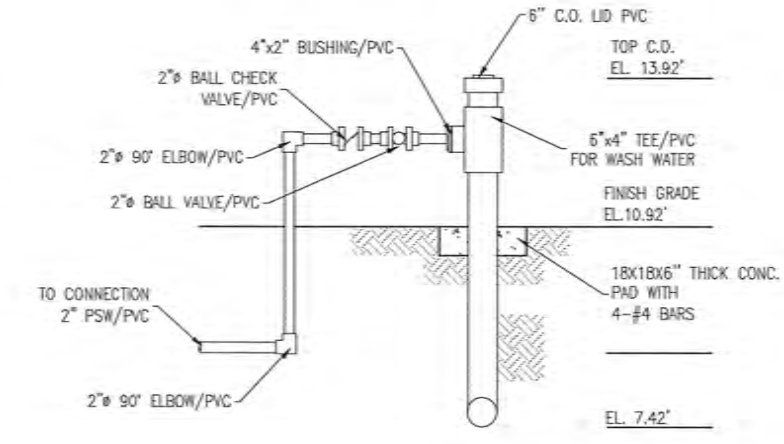
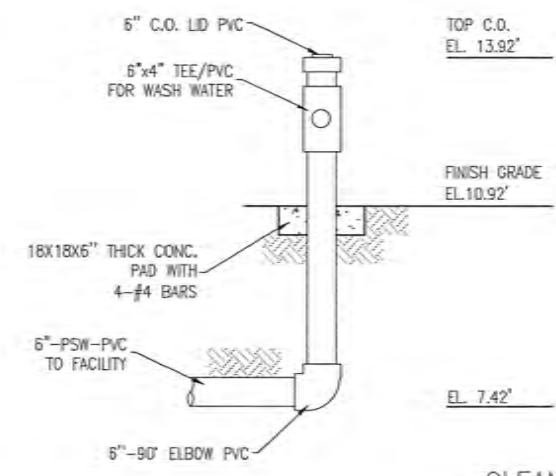
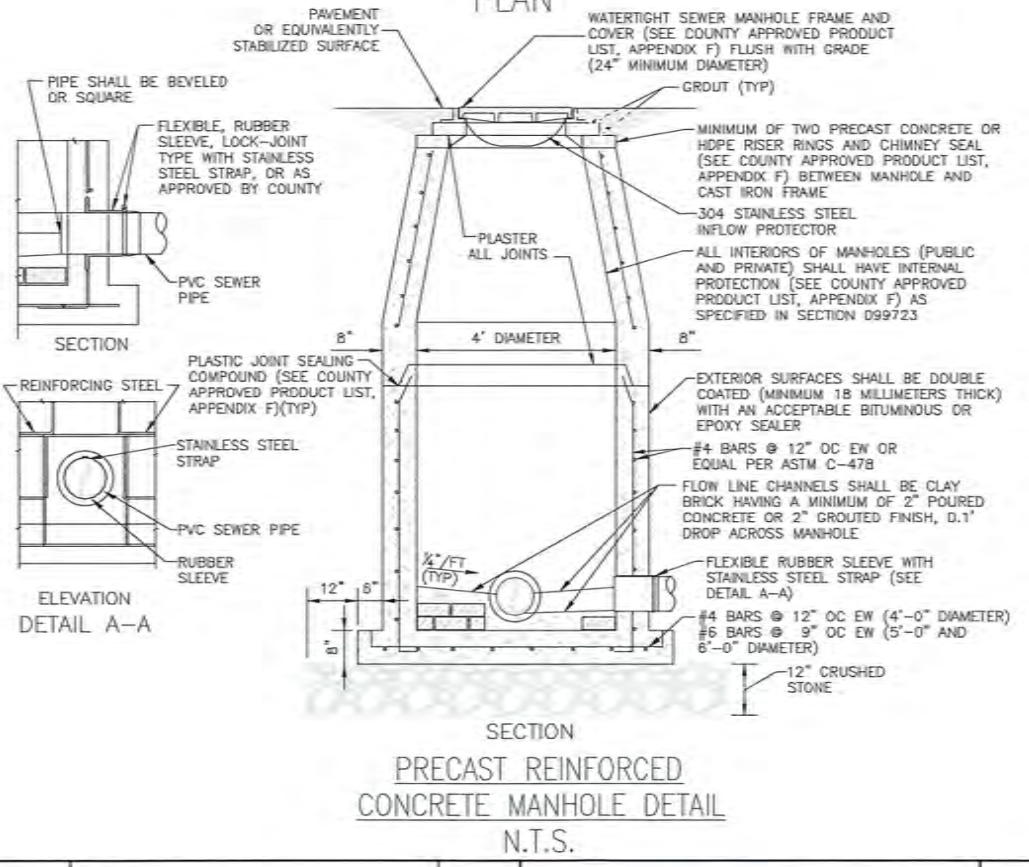
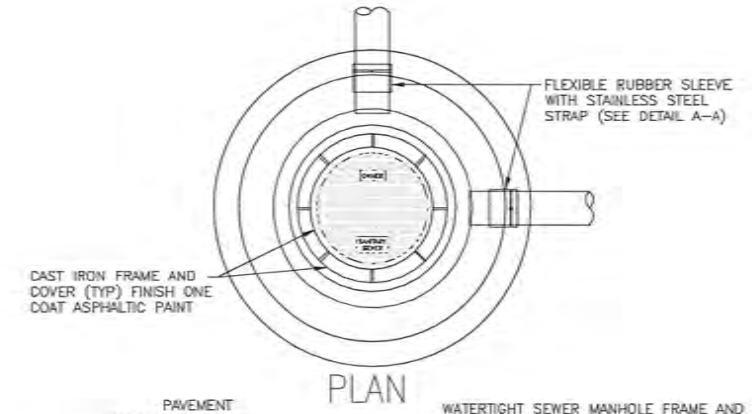


- NOTES:
1. BACKFILL SHALL BE OF SUITABLE MATERIAL REMOVED FROM EXCAVATION EXCEPT WHERE OTHER MATERIAL IS SPECIFIED. BACKFILL MATERIAL SHALL CONSIST OF EARTH, LOAM, SANDY CLAY, GRAVEL, CRUSHED LIMESTONE, OR OTHER APPROVED MATERIAL. REFER TO TECHNICAL SPECIFICATIONS FOR DETAIL REQUIREMENTS.
 2. IF TRENCH BOTTOM CONTAINS ROCK, THEN A MINIMUM OF A 6" PIPE BEDDING SHALL BE USED.

PAVED AREA TRENCH RESTORATION DETAIL FOR PRIVATE ROADS



MANHOLE RING AND COVER DETAIL



PRINTED COPIES OF THIS DOCUMENT ARE NOT CONSIDERED SIGNED AND SEALED AND THE SIGNATURE MUST BE VERIFIED ON ANY ELECTRONIC COPIES

NO.	DATE	REVISIONS	BY

HM
HOLE MONTES
a Brownian company

950 Encore Way
Naples, FL 34110
Phone: (239) 254-2000
Florida Certificate of Authorization No.1772

DESIGN BY: K.R.
DRAWN BY: R.V.L.
CHECKED BY: D.W.S.
CAD FILE: 2023148_SITE PLAN

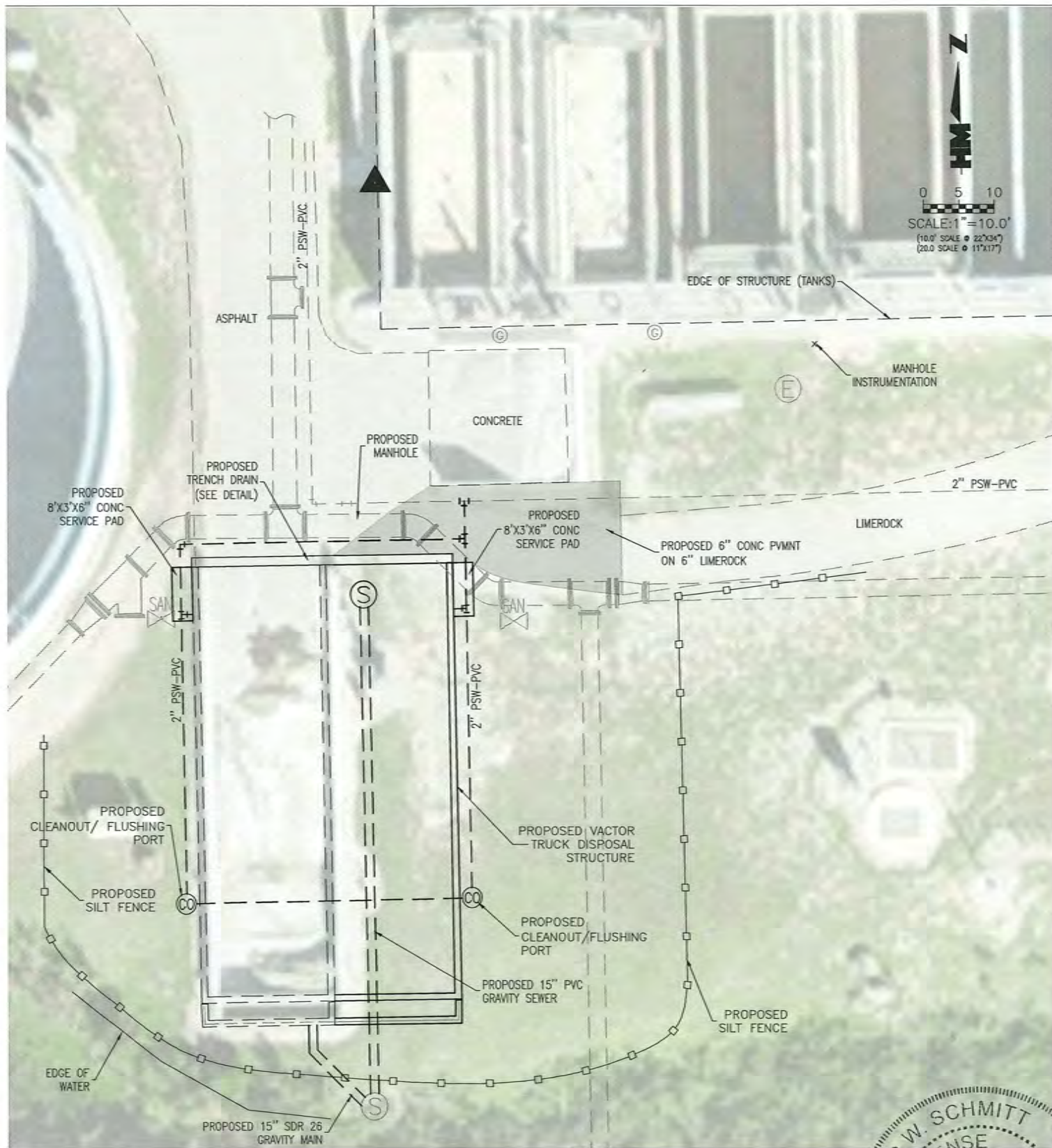
DAVID W. SCHMITT
LICENSE
No. 41671
STATE OF FLORIDA
PROFESSIONAL ENGINEER



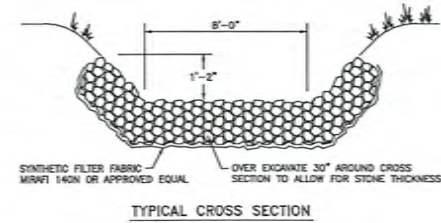
ISSUED FOR BIDDING

COUNTY WATER-SEWER DISTRICT
COLLIER COUNTY, FLORIDA
NORTH COUNTY WATER RECLAMATION FACILITY
VACTOR TRUCK DISPOSAL MODIFICATION & EXPANSION
CIVIL/SITE DETAILS

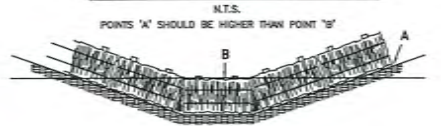
PROJECT NO.: 2023.148
DATE: 02/24
SHEET NO.: C-4



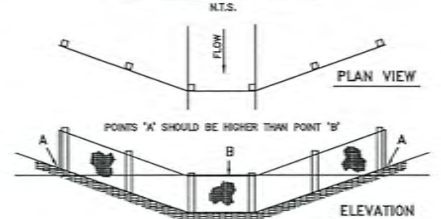
PROPOSED SITE PLAN



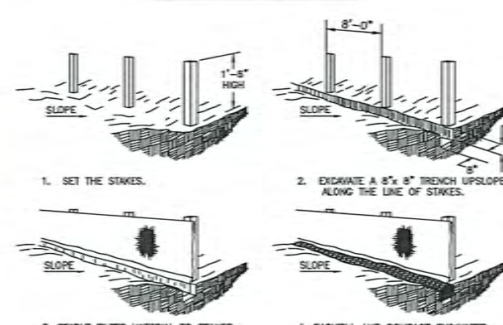
STONE RIP-RAP CHANNEL



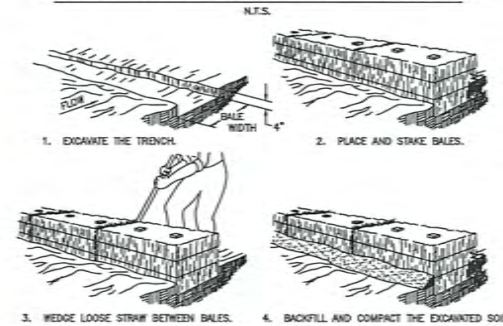
PROPER PLACEMENT OF STRAW BALE BARRIER IN DRAINAGE WAY



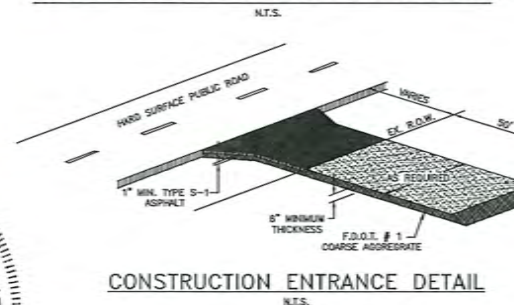
PROPER PLACEMENT OF FILTER BARRIER IN DRAINAGE WAY



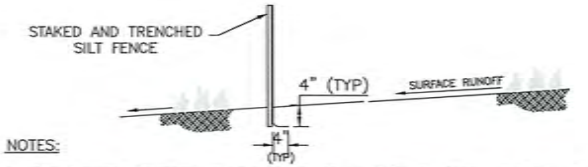
CONSTRUCTION OF A FILTER BARRIER



CONSTRUCTION OF A STRAW BALE BARRIER



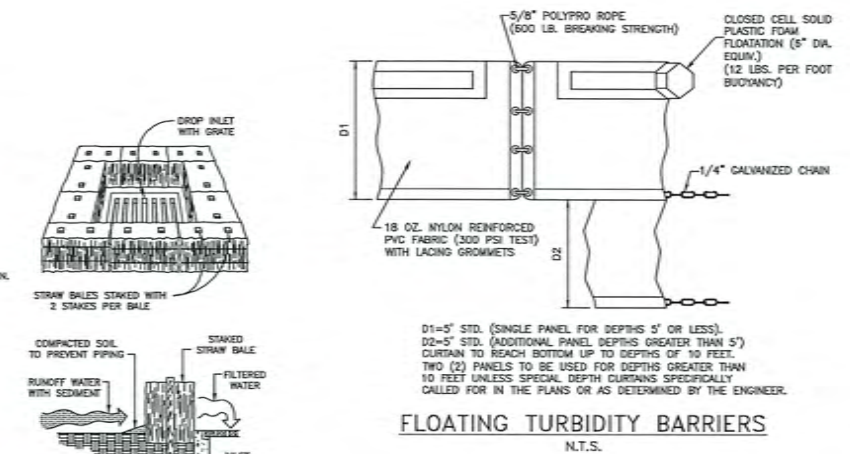
CONSTRUCTION ENTRANCE DETAIL



SINGLE ROW STAKED SILT FENCE

NOTES:

1. POSTS SHALL BE PLACED A MAXIMUM OF 10 FEET (3 m) APART AT THE BARRIER LOCATION AND DRIVEN SECURELY INTO THE GROUND A MINIMUM OF 12\"/>
- 2. A TRENCH SHALL BE EXCAVATED APPROXIMATELY 4 INCHES (10 cm) WIDE AND 4 INCHES (10 cm) DEEP ALONG THE LINE OF POSTS AND UPSLOPE FROM THE BARRIER.
- 3. WHEN STANDARD STRENGTH FILTER FABRIC IS USED, A WIRE MESH SUPPORT FENCE SHALL BE FASTENED SECURELY TO THE UPSLOPE SIDE OF THE POSTS USING HEAVY DUTY WIRE STAPLES AT LEAST 1 INCH (25mm) LONG, TIE WIRES, OR HOG RINGS. THE WIRE SHALL EXTEND INTO THE TRENCH A MINIMUM OF 2 INCHES (5 cm) AND SHALL NOT EXTEND MORE THAN 36 INCHES (90 cm) ABOVE THE ORIGINAL GROUND SURFACE.
- 4. THE STANDARD STRENGTH FILTER FABRIC SHALL BE STAPLED OR WIRED TO THE FENCE, AND 8 INCHES (20 cm) OF THE FABRIC SHALL BE EXTENDED INTO THE TRENCH. THE FABRIC SHALL NOT EXTEND MORE THAN 36 INCHES (90 cm) ABOVE THE ORIGINAL GROUND SURFACE.

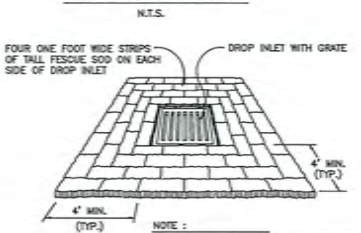


FLOATING TURBIDITY BARRIERS

SPECIFIC APPLICATION

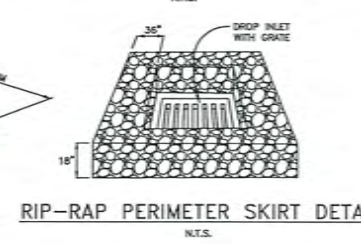
THIS METHOD OF INLET PROTECTION IS APPLICABLE WHERE THE INLET DRAINS A RELATIVELY FLAT AREA (SLOPES NO GREATER THAN 5 PERCENT) WHERE SHEET OR OVERLAND FLOWS (NOT EXCEEDING 0.5 cfs) ARE TYPICAL. THIS METHOD SHALL NOT APPLY TO INLETS RECEIVING CONCENTRATED FLOWS, SUCH AS IN STREET OR HIGHWAY MEDIANS.

STRAW BALE DROP INLET SEDIMENT FILTER



CONSTRUCTION OF A STRAW BALE BARRIER

SOD DROP INLET PROTECTION



RIP-RAP PERIMETER SKIRT DETAIL

GENERAL NOTES:

1. ALL INVASIVE PLANT SPECIES WILL BE REMOVED ON AN ANNUAL BASIS BY HAND REMOVAL, PRESCRIBED BURNING OR OTHER METHOD ALLOWED BY COLLIER COUNTY. NATIVE VEGETATION ENHANCEMENT MAY BE ALLOWED.
2. CONTRACTOR TO PLACE CONSTRUCTION FENCING AT LIMIT OF CLEARING TO PROTECT VEGETATION. FENCE IS TO REMAIN IN PLACE THROUGH DURATION OF CONSTRUCTION.
3. EXOTIC VEGETATION, AS DEFINED BY COLLIER COUNTY LAND DEVELOPMENT CODE (LDC), SHALL BE REMOVED FROM THE SITE AND SUBSEQUENT ANNUAL EXOTIC REMOVAL (IN PERPETUITY) SHALL BE THE RESPONSIBILITY OF THE PROPERTY OWNER.
4. THE REVIEW AND APPROVAL OF IMPROVEMENT PLANS DOES NOT AUTHORIZE THE CONSTRUCTION OF REQUIRED IMPROVEMENTS WHICH ARE INCONSISTENT WITH EXISTING EASEMENTS OF RECORD.
5. THE PROPERTY OWNER IS RESPONSIBLE FOR REPLACEMENT OF ALL DEAD LANDSCAPE MATERIAL AND FOR MAINTENANCE OF THE REQUIRED IRRIGATION SYSTEM.
6. A DOUBLE SILT FENCE IS TO BE PLACED ALONG THE EDGE OF CANAL AND PRESERVE LIMITS AND ENTRENCHED A MIN. OF 4 INCHES.
7. CONTRACTOR TO REMOVE ALL EXISTING FENCE ALONG PERIMETER OF PROPERTY.



NO.	DATE	REVISIONS	BY

H M
HOLE MONTES
a Bowman company

950 Encore Way
Naples, FL 34110
Phone: (239) 254-2000
Florida Certificate of
Authorization No. 1772

DESIGN BY: K.R.
DRAWN BY: R.V.L.
CHECKED BY: D.W.S.
CAD FILE: 2023148_SITE PLAN

DAVID W. SCHMITT
LICENSE
No. 41671
STATE OF FLORIDA
PROFESSIONAL ENGINEER



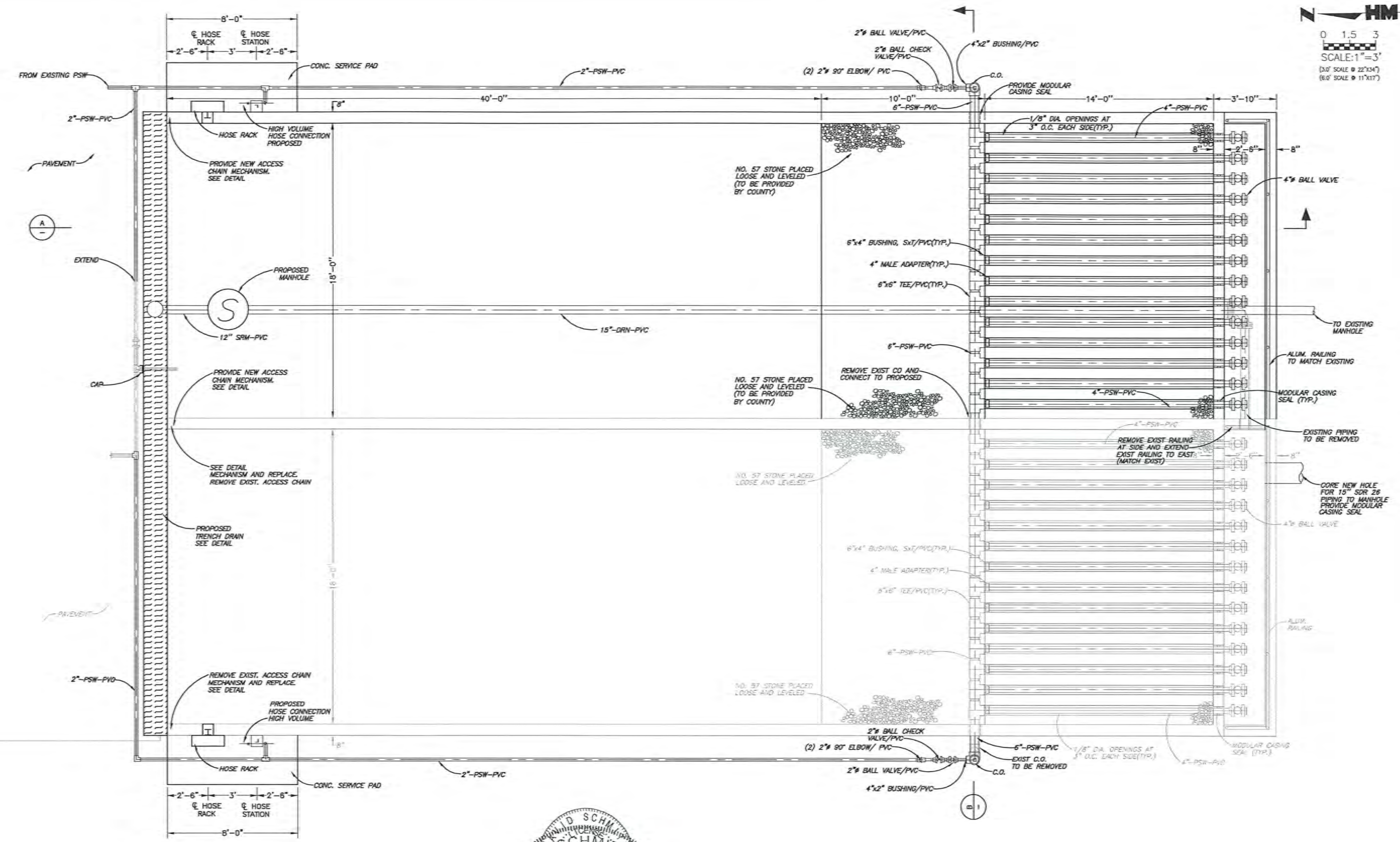
ISSUED FOR BIDDING

COUNTY WATER-SEWER DISTRICT
COLLIER COUNTY, FLORIDA
NORTH COUNTY WATER RECLAMATION FACILITY
VACTOR TRUCK DISPOSAL MODIFICATION & EXPANSION
STORMWATER POLLUTION PLANS & DETAILS

PROJECT NO.: 2023.148
DATE: 02/24
SHEET NO.: C-5

H:\2023\2023148\DWG\MASTERPLAN\ISSUED FOR BIDDING\2023148_MECH PLAN.dwg, 1/30/2024 9:53:03 AM, AutoCAD PDF RKS.pc

HM
 0 1.5 3
 SCALE: 1"=3'
 (10' SCALE @ 22"x34")
 (6.0' SCALE @ 11"x17")



NO.	DATE	REVISIONS	BY

HM
 HOLE MONTES
 a Brownian company

950 Encore Way
 Naples, FL 34110
 Phone: (239) 254-2000
 Florida Certificate of
 Authorization No. 1772

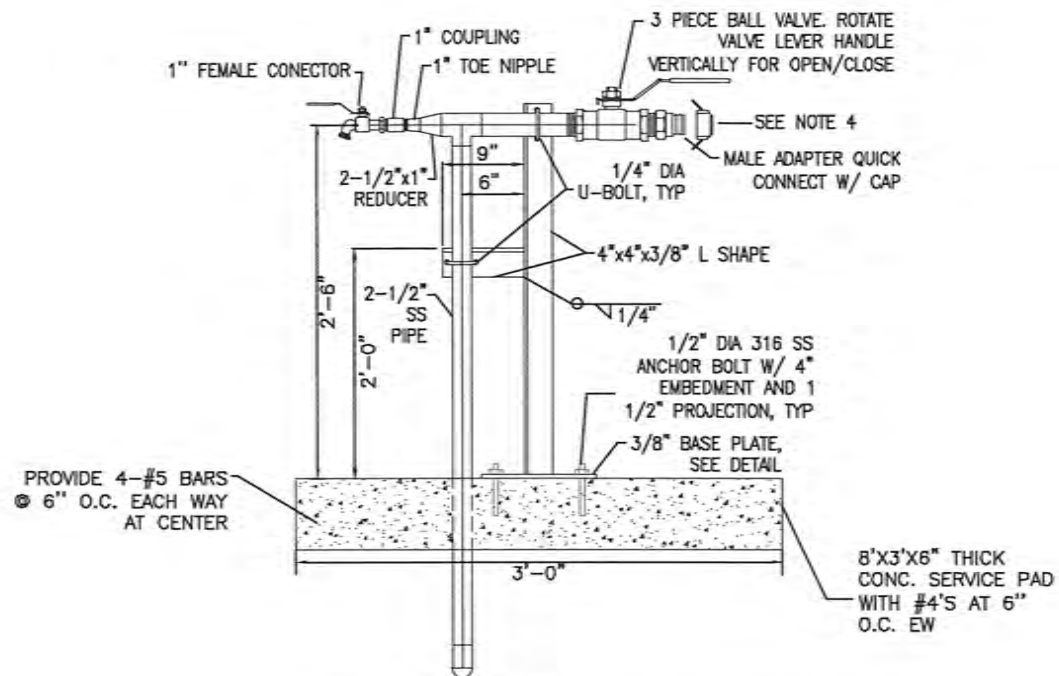
DESIGN BY: K.R.
 DRAWN BY: R.V.L.
 CHECKED BY: D.W.S.
 CAD FILE: 2023148_MECH PLAN

DAVID M. SCHMITT
 LICENSED PROFESSIONAL ENGINEER
 STATE OF FLORIDA
 License No. 12187

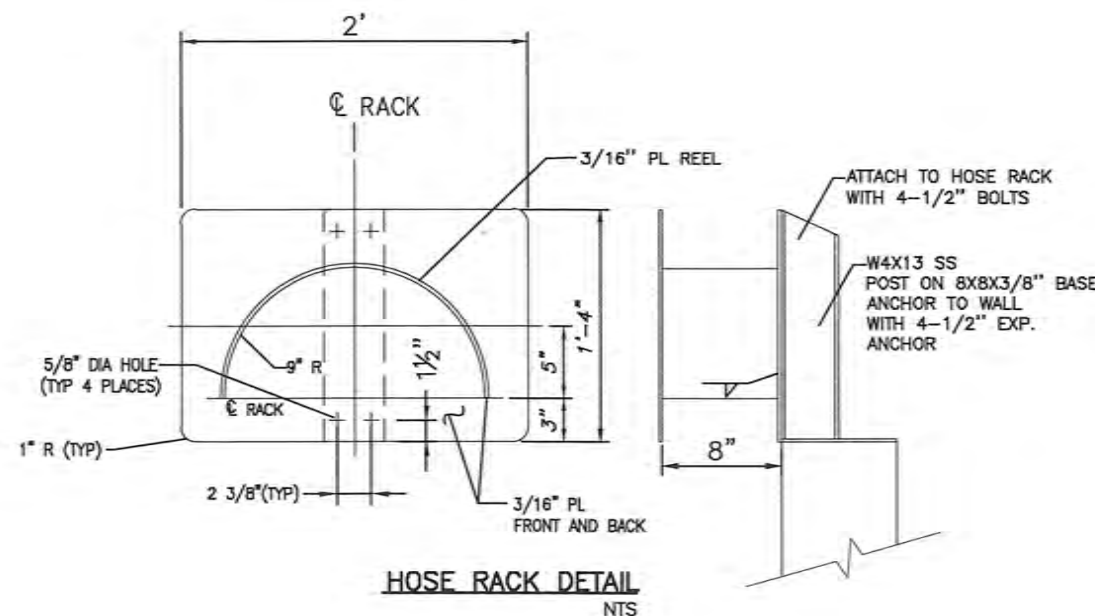
ISSUED FOR BIDDING

COUNTY WATER-SEWER DISTRICT
 COLLIER COUNTY, FLORIDA
 NORTH COUNTY WATER RECLAMATION FACILITY
 VACTOR TRUCK DISPOSAL MODIFICATION & EXPANSION
 PROPOSED MECHANICAL PLAN

PROJECT NO.: 2023.148
 DATE: 02/24
 SHEET NO.: M-1

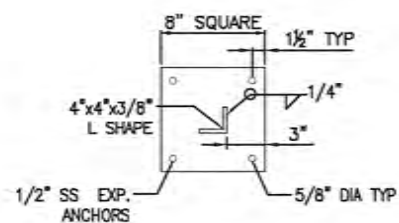


FREE-STANDING HIGH VOLUME HOSE STATION DETAIL
NTS



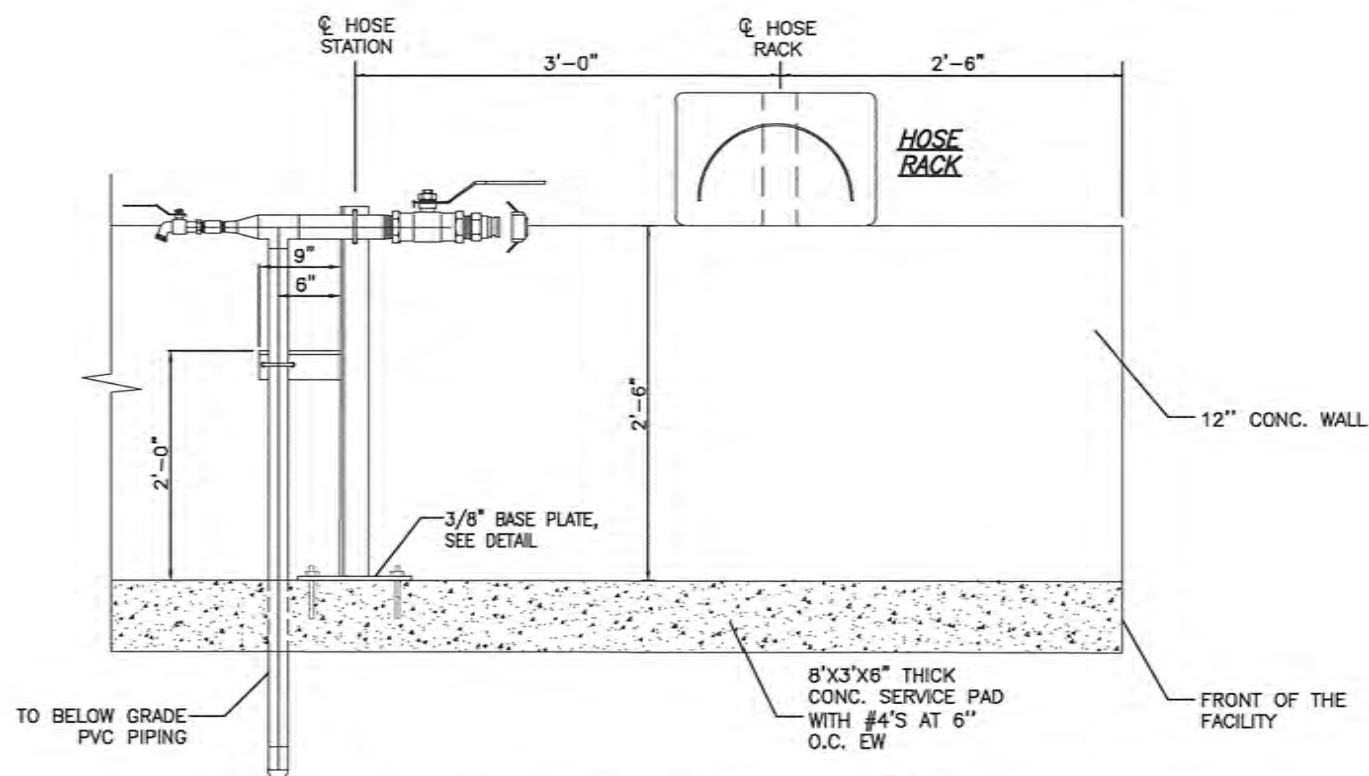
HOSE RACK DETAIL
NTS

- NOTES:**
1. MOUNT OF WALL WITH 4-1/2" SS EXPANSION ANCHOR.
 2. ALL MATERIALS TO BE 316 STAINLESS STEEL. ANNEAL ASSEMBLY AFTER FABRICATION.
 3. CHAMFER, GRIND, DEBURR ALL METAL EDGES FOR SMOOTH CONTOUR.

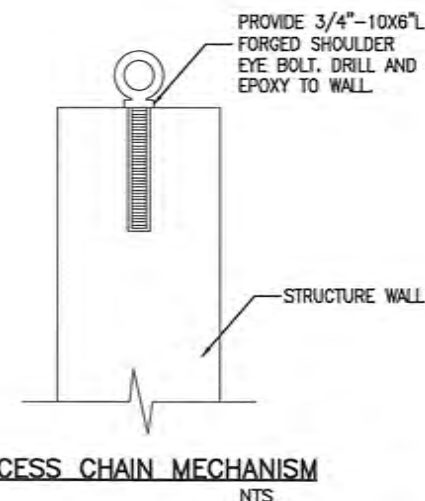


BASE PLATE DETAIL
NTS

- NOTES:**
1. ALL MATERIAL TO BE 316 STAINLESS STEEL INCLUDING ALL EXPOSED PIPING. ANNEAL ASSEMBLY AFTER FABRICATION.
 2. CHAMFER, GRIND, DEBURR ALL METAL EDGES FOR SMOOTH CONTOUR.
 3. ALL ANCHORS, BASEPLATE AND L SHAPE SHALL BE 316 SS.
 4. 2" SS QUICK CONNECT FIRE HOSE COUPLING W/ CAP.
 6. ALL SS VALVES SHALL BE MANUFACTURED BY APOLLO OR APPROVED U.S. MANUFACTURER.
 7. ALL SUPPORTS, PIPING, AND VALVING SHALL BE TYPE 316 SS

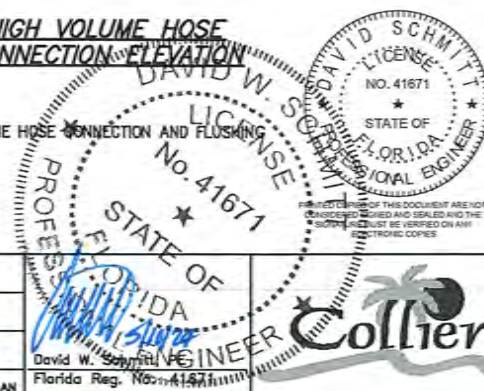


- NOTE:**
1. ABOVE PIPING TO HIGH VOLUME HOSE CONNECTION AND FLOWING MUST BE PAINTED PURPLE.



ACCESS CHAIN MECHANISM
NTS

HIGH VOLUME HOSE CONNECTION ELEVATION



NO.	DATE	REVISIONS	BY



950 Encore Way
Naples, FL 34110
Phone: (239) 254-2000
Florida Certificate of
Authorization No. 1772

DESIGN BY: K.R.
DRAWN BY: R.V.L.
CHECKED BY: D.W.S.
CAD FILE: 2023148_MECH PLAN

PROF. ENGINEER
STATE OF FLORIDA
No. 41671
David W. Schmitt
Florida Reg. No. 41671



ISSUED FOR BIDDING

COUNTY WATER-SEWER DISTRICT
COLLIER COUNTY, FLORIDA
NORTH COUNTY WATER RECLAMATION FACILITY
VACTOR TRUCK DISPOSAL MODIFICATION & EXPANSION
MECHANICAL SECTIONS & DETAILS II

PROJECT NO.: 2023.148
DATE: 02/24
SHEET NO.: M-3

H:\2023\2023148\DWEE\MASTERPLAN\ISSUED FOR BIDDING\2023148_STR_PLAN.dwg, 1/30/2024 10:00:13 AM, AutoCAD PDF RKS.pc

STRUCTURAL NOTES:

1010 GENERAL CONDITIONS AND STATEMENTS:

A. STRUCTURAL DRAWINGS SHALL BE USED IN CONJUNCTION WITH JOB SPECIFICATIONS AND MECHANICAL, ELECTRICAL, HVAC, AND SITE DRAWINGS. CONSULT THESE DRAWINGS FOR DEPRESSIONS, AND OTHER DETAILS NOT SHOWN ON STRUCTURAL DRAWINGS. THE CONTRACTOR SHALL COMPARE AND COORDINATE WITH ALL DISCIPLINES AND REPORT ANY DISCREPANCIES TO ENGINEER PRIOR TO FABRICATION.

B. DIMENSIONS AND CONDITIONS MUST BE VERIFIED IN THE FIELD. ANY DISCREPANCIES SHALL BE BROUGHT TO THE ATTENTION OF THE ENGINEER BEFORE PROCEEDING WITH THE AFFECTED PART OF THE WORK.

C. DO NOT SCALE OFF DRAWINGS OR DETAILS. DIMENSIONS PROVIDED ON PLAN OVERRIDE ANY SCALED DIMENSIONS.

D. THE STRUCTURE DEPICTED ON THE DRAWINGS IS DESIGNED TO BE SELF-SUPPORTING, STABLE AND STRUCTURALLY SOUND AFTER THE BUILDING IS COMPLETE. IT IS THE CONTRACTOR'S RESPONSIBILITY TO DETERMINE ERECTION PROCEDURES AND SEQUENCE TO INSURE SAFETY OF THE BUILDING AND ITS COMPONENTS DURING ERECTION. THIS INCLUDES PROVIDING TEMPORARY SHORING, SHEETING, BRACING, GUYS OR TIEDOWNS TO RESIST LOADS IMPOSED BY GRAVITY, SOIL, CONSTRUCTION LOADS, WIND AND SEISMIC (WHERE APPLICABLE).

E. DETAILS, NOTES, KEYNOTES OR ANY INFORMATION SHOWN ON ANY PART OF THE DRAWINGS SHALL BE APPLIED TO ALL APPLICABLE OR SIMILAR CONDITIONS AND IF NOTED AS TYPICAL OR SHOWN FOR ONE CONDITION, SHALL BE APPLIED FOR ALL LIKE OR SIMILAR CONDITIONS UNLESS NOTED OTHERWISE. THE CONTRACTOR MUST USE, IN CONJUNCTION WITH STRUCTURAL DRAWINGS, MECHANICAL, ELECTRICAL, HVAC, AND SITE DRAWINGS TO DETERMINE WHERE CONDITIONS THAT ARE LIKE OR SIMILAR APPLY.

F. WHERE A CONFLICT EXISTS BETWEEN DRAWINGS AND SPECIFICATIONS THE DRAWINGS SHALL GOVERN.

1020 STRUCTURAL DEMOLITION

A. THE CONTRACTOR SHALL BE RESPONSIBLE FOR SELECTING METHODS OF DEMOLITION SO THAT THE REMAINING STRUCTURE WILL NOT BE IMPAIRED OR DAMAGED.

B. SAWCUTTING AND CORING SHALL BE UTILIZED TO THE FULLEST EXTENT POSSIBLE. ISOLATE CONSTRUCTION TO BE REMOVED FROM THE STRUCTURE TO REMAIN.

C. ONLY OVERCUT OPENINGS WHERE INDICATED. USE APPROPRIATE SIZE CORES AT CORNERS SO THAT OVERCUTTING AT CORNERS WILL NOT BE NECESSARY. USE CHIPPING TOOLS WHERE CORNERS ARE REQUIRED TO BE SQUARE.

D. SELECT METHODS OF TRANSPORTING DEBRIS THROUGH THE BUILDING WHICH WILL NOT OVERLOAD THE EXISTING OR NEW BUILDING.

E. PROVIDE SHORING REQUIRED TO SUPPORT THE STRUCTURE WHEN NEW WORK TO STRENGTHEN THE STRUCTURE CANNOT BE INSTALLED PRIOR TO DEMOLITION. MAINTAIN SHORING UNTIL NEW WORK HAS ATTAINED DESIGN STRENGTH.

1061 DESIGN LOADS:

THE STRUCTURAL SYSTEM HAS BEEN DESIGNED IN ACCORDANCE WITH THE 8th EDITION OF THE FLORIDA BUILDING CODE (2023 FBC) BY THE INTERNATIONAL CODE COUNCIL, INC. THE FOLLOWING SUPERIMPOSED LOADINGS HAVE BEEN UTILIZED:

PAVEMENT = AASHTO HS20-44

1120 SUBMITTAL (SHOP DRAWING) REVIEW:

A. SUBMITTALS (SHOP DRAWINGS) WILL BE REVIEWED FOR GENERAL COMPLIANCE WITH THE DESIGN INTENT OF THE CONTRACT DOCUMENTS ONLY. IF ANY DEVIATIONS FROM CONTRACT DOCUMENTS BECOME APPARENT DURING REVIEW, AS A COURTESY, ENGINEER/ARCHITECT MAY MARK UP DEVIATIONS ON SHOP DRAWINGS DURING THE SUBMITTAL PROCESS. IT SHALL BE THE SOLE RESPONSIBILITY OF THE CONTRACTOR TO VERIFY COMPLIANCE WITH THE CONTRACT DOCUMENTS INCLUDING BUT NOT LIMITED TO QUANTITY, LENGTH, ELEVATIONS AND DIMENSIONS. FABRICATION REQUIREMENTS, CONSTRUCTION MEANS AND METHODS, COORDINATION OF WORK WITH OTHER TRADES OR CONSTRUCTION SAFETY REQUIREMENTS.

B. SHOP DRAWINGS SHALL BE REVIEWED BY THE CONTRACTOR PRIOR TO SUBMITTAL TO THE ARCHITECT/ENGINEER. DRAWINGS SUBMITTED WITHOUT REVIEW, OR IF SUBMITTAL IS INCOMPLETE, WILL BE REJECTED AND WILL NOT BE REVIEWED. TRC WORLDWIDE ENGINEERING, INC WILL NOT BE RESPONSIBLE FOR DELAYS CAUSED BY REJECTED DRAWINGS.

C. SHOP DRAWING SUBMITTALS SHALL COMPLY WITH SPECIFICATION SECTION 01330.

D. THE CONTRACT DOCUMENTS WILL GOVERN OVER THE SHOP DRAWINGS UNLESS OTHERWISE SPECIFIED IN WRITING BY THE ENGINEER.

E. CHANGES AND ADDITIONS MADE ON RE-SUBMITTALS SHALL BE CLEARLY FLAGGED AND NOTED. THE PURPOSE OF THE RE-SUBMITTALS SHALL BE CLEARLY NOTED ON THE LETTER OF TRANSMITTAL. ARCHITECT/ENGINEER REVIEW WILL BE LIMITED TO THOSE ITEMS CAUSING THE RE-SUBMITTAL.

1121 DELEGATE ENGINEERING COMPONENTS AND REQUIREMENTS:

A. THE FOLLOWING SYSTEMS AND COMPONENTS AS A MINIMUM REQUIRE FABRICATION AND ERECTION DRAWINGS PREPARED BY A DELEGATED ENGINEER:

NONE

B. SUBMITTALS SHALL CLEARLY IDENTIFY THE SPECIFIC PROJECT AND APPLICABLE CODES, LIST THE DESIGN CRITERIA, AND SHOW ALL DETAILS AND PLANS NECESSARY FOR PROPER FABRICATION AND INSTALLATION. CALCULATIONS AND SHOP DRAWINGS SHALL IDENTIFY SPECIFIC PRODUCT UTILIZED. GENERIC PRODUCTS WILL NOT BE ACCEPTED.

C. SHOP DRAWINGS AND CALCULATIONS SHALL BE PREPARED UNDER THE DIRECT SUPERVISION AND CONTROL OF THE DELEGATED ENGINEER.

D. SHOP DRAWINGS AND CALCULATIONS REQUIRE THE IMPRESSED SEAL, DATE AND SIGNATURE OF THE DELEGATED ENGINEER. COMPUTER PRINTOUTS ARE AN ACCEPTABLE SUBSTITUTE FOR MANUAL COMPUTATIONS PROVIDED THEY ARE ACCOMPANIED BY SUFFICIENT DESCRIPTIVE INFORMATION TO PERMIT THEIR PROPER EVALUATION. SUCH DESCRIPTIVE INFORMATION SHALL BEAR THE IMPRESSED SEAL AND SIGNATURE OF THE DELEGATED ENGINEER AS AN INDICATION THAT HE/SHE HAS ACCEPTED RESPONSIBILITY FOR THE RESULTS. SEPIAS DO NOT REQUIRE SIGNATURE AND SEAL. THE STRUCTURAL ENGINEER WILL RETAIN ONE SIGNED AND SEALED BLUELINE PRINT FOR RECORD.

E. DRAWINGS PREPARED SOLELY TO SERVE AS A GUIDE FOR FABRICATION AND INSTALLATION (SUCH AS REINFORCING STEEL SHOP DRAWINGS OR STRUCTURAL STEEL ERECTION DRAWINGS) AND REQUIRING NO ENGINEERING DO NOT REQUIRE THE SEAL OF A DELEGATED ENGINEER. HOWEVER, ALL STRUCTURAL STEEL CONNECTIONS NOT DETAILED ON THESE DRAWINGS SHALL BE DESIGNED AND DETAILED BY DELEGATE ENGINEER, BASED ON LOADS AND PROJECT REQUIREMENTS PROVIDED HEREIN.

F. CATALOG INFORMATION ON STANDARD PRODUCTS DOES NOT REQUIRE THE SEAL OF A DELEGATED ENGINEER.

G. REVIEW BY THE STRUCTURAL ENGINEER OF RECORD OF SUBMITTALS IS LIMITED TO VERIFYING THE FOLLOWING:

a) THAT THE SPECIFIED STRUCTURAL SUBMITTALS HAVE BEEN FURNISHED.

b) THAT THE STRUCTURAL SUBMITTALS HAVE BEEN SIGNED AND SEALED BY THE DELEGATED ENGINEER.

c) THAT THE DELEGATED ENGINEER HAS UNDERSTOOD THE DESIGN INTENT AND HAS USED THE SPECIFIED STRUCTURAL CRITERIA. (NO DETAILED CHECK OF CALCULATIONS WILL BE MADE).

d) THAT THE CONFIGURATION SET FORTH IN THE STRUCTURAL SUBMITTALS IS CONSISTENT WITH THE CONTRACT DOCUMENTS. (NO DETAILED CHECK OF DIMENSIONS OR QUANTITIES WILL BE MADE).

H. SUBMITTALS NOT MEETING THE ABOVE CRITERIA WILL NOT BE REVIEWED.

I. PRECAST DESIGN WALL AND SLAB THICKNESS, REINFORCING, AND DETAILS SHOWN ARE MINIMUM. DELEGATE ENGINEER SHALL SUBMIT CALCULATIONS AND DETAILED SHOP DRAWING COORDINATED WITH MECHANICAL FOR REVIEW AND ACCEPTANCE PRIOR TO MANUFACTURING.

3101 FORMWORK AND SHORING (CONCRETE SLABS AND BEAMS):

1. NO STRUCTURAL CONCRETE SHALL BE STRIPPED UNTIL IT HAS REACHED AT LEAST TWO-THIRDS OF THE 28 DAY DESIGN STRENGTH.

a) DRAWINGS FOR SHORING AND RESHORING SHALL BE PREPARED BY A FLORIDA REGISTERED PROFESSIONAL ENGINEER.

b) DESIGN, ERECTION AND REMOVAL OF ALL FORMWORK, SHORES AND RESHORES SHALL MEET REQUIREMENTS SET FORTH IN ACI STANDARDS 347 AND 301.

c) SUBMIT SIGNED & SEALED SHORING DRAWINGS INCLUDING POUR SEQUENCE AND CALCULATIONS, WHERE NECESSARY, TO DEMONSTRATE THAT THE POUR SEQUENCE AND SHORING/RE-SHORING METHODS DO NOT OVERSTRESS THE STRUCTURE. THIS ANALYSIS SHALL INCLUDE STRESSES CAUSED BY SHRINKAGE OF STRUCTURAL SLAB. PROVIDE LOCATION AND DETAILS OF POUR STRIPS IF REQUIRED TO REDUCE SHRINKAGE AND RESTRAINT CRACKS.

d) SHORING INSPECTIONS SHALL BE PERFORMED BY THE SHORING ENGINEER.

2. UNLESS ARCHITECT SPECIFIES OTHERWISE, CONSTRUCT FORMWORK SO CONCRETE SURFACES CONFORM TO THE TOLERANCE LIMITS OF ACI 117 [STANDARD SPECIFICATIONS FOR TOLERANCES FOR CONCRETE CONSTRUCTION MATERIALS]. THE CLASS OF SERVICE FOR OFFSET BETWEEN ADJACENT PIECES OF FORMWORK FACING MATERIAL SHALL BE CLASS B FOR SURFACES PERMANENTLY EXPOSED TO PUBLIC VIEW AND CLASS D FOR SURFACES THAT WILL BE PERMANENTLY CONCEALED.

3201 REINFORCING STEEL:

A. SHALL BE ASTM A615 GRADE 60 DEFORMED BARS (WELDABLE REINFORCING "DBA" SHALL CONFORM TO ASTM A-706 GRADE 60), FREE FROM OIL, SCALE AND RUST AND PLACED IN ACCORDANCE WITH THE TYPICAL BENDING DIAGRAM AND PLACING DETAILS OF ACI STANDARDS AND SPECIFICATIONS. SECURE APPROVAL OF SHOP DRAWINGS PRIOR TO COMMENCING FABRICATION. REINFORCING BAR DETAILING SHALL COMPLY WITH ACI 315 "MANUAL OF STANDARD PRACTICE FOR DETAILING REINFORCED CONCRETE STRUCTURES".

B. UNLESS NOTED OTHERWISE ON SECTIONS AND DETAILS, PROVIDE THE FOLLOWING CONCRETE COVER FOR REINFORCING STEEL: REINFORCING STEEL COVER (PRESTRESSED AND NON-PRESTRESSED CONCRETE) CONCRETE NOT EXPOSED TO WEATHER OR IN CONTACT WITH GROUND

SLABS, WALLS
#14 & #18 BARS.....1 1/2"
#11 BAR & SMALLER.....3/4"

CONCRETE EXPOSED TO WEATHER OR EARTH*
#8 BAR THRU #18 BARS.....2"
#5 BAR, W31 OR D31 WIRE, AND SMALLER.....1 1/2"

COVERAGE TO REINFORCING REQUIREMENTS APPLIES ALSO TO ANY EDGE OF SLAB OR OPENING.

3201 REINFORCING STEEL:

C. SEE MECHANICAL AND ELECTRICAL DRAWINGS FOR DRIPS, CHAMFERS, REGLETS, SLOTS, SLEEVES, ANCHORS, AND INSERTS. UNLESS SHOWN ON STRUCTURAL DRAWINGS NO OPENINGS LARGER THAN 12"x12" SHALL BE PLACED IN SLABS OR WALLS. FOR OPENINGS NOT SHOWN ON STRUCTURAL DRAWINGS, APPROVALS MUST BE OBTAINED FROM THE ENGINEER PRIOR TO FABRICATION OF STEEL AND PLACEMENT OF CONCRETE. LOCATION DRAWINGS FOR ALL SLEEVES AND BLOCKOUTS IN THE CONCRETE SHALL BE SUBMITTED FOR APPROVAL BY THE STRUCTURAL ENGINEER PRIOR TO PLACEMENT.

D. ALL CONDUIT, SLEEVES, AND PIPES EMBEDDED IN OR PASSING THRU CONCRETE SHALL CONFORM TO SECTION 6.3 OF ACI 318 AND THE FOLLOWING:

1. SLEEVES AND PIPES SHALL BE PLACED SO THAT REINFORCING STEEL CAN BE PLACED WITH THE SPECIFIED COVER AND CLEAR DISTANCE BETWEEN BARS.

2. THE CONCRETE COVERING OF PIPE AND SLEEVES SHALL NOT BE LESS THAN 1 1/2 INCHES. CLEAR DISTANCE BETWEEN SUCH PIPES AND SLEEVES SHALL NOT BE LESS THAN SIX INCHES.

3. CONDUIT AND PIPES PLACED IN SLABS AND TOPPING OVER SLABS SHALL NOT BE LARGER IN OUTSIDE DIAMETER THAN ONE-THIRD THE THICKNESS OF SLAB OR TOPPING, AND SHALL BE PLACED IN THE MIDDLE THIRD OF SLAB DEPTH.

4. CONDUITS AND PIPES PLACED IN COLUMNS SHALL NOT DISPLACE MORE THAN 4% OF THE CROSS SECTIONAL AREA OF COLUMN AND SHALL BE LOCATED ON THE CENTER LINE OF COLUMN. OUTLET BOXES TO BE NOT DEEPER THAN REQUIRED CLEARANCE FOR REINF.

5. INSERTS W/ 3/4" MAX. EMBEDMENT SHALL BE USED TO SUPPORT CONDUITS, PIPES, AND DUCT FROM THE SLAB. 1-3/8" DEEP (MAX) UNISTRUT INSERTS (OR APPROVED EQUAL) ME BE USED TO SUPPORT MECHANICAL AND PLUMBING EQUIPMENT AT CORRIDORS ONLY (AVOID CONDUIT W/ POST-TENSION TENDONS).

E. ALL CONTINUOUS BARS SHALL HAVE CLASS B FULL TENSION LAPS UNLESS INDICATED OTHERWISE. PROVIDE CORNER BARS AT ALL WALL, GRADE BEAM AND STRIP FOOTING CORNERS. BARS SHALL BE THE SAME SIZE AND SPACING AS THE HORIZONTAL REINFORCING. INTERSECTING WALLS, GRADE BEAMS AND STRIP FOOTINGS SHALL BE DOWELED TOGETHER IN THE SAME MANNER. PROVIDE 2 NO. 4 TOP DIAGONAL BARS 4'-0" LONG AT ALL REENTRANT CORNERS IN ALL SLABS ON GRADE AND ELEVATED SLABS.

F. SHOP DRAWINGS SHALL DETAIL ALL CONCRETE WALLS IN ELEVATION.

3301 CONCRETE:

A. SHALL BE PER AN APPROVED MIX DESIGN PROPORTIONED TO ACHIEVE A STRENGTH AT 28 DAYS AS LISTED BELOW WITH A PLASTIC AND WORKABLE MIX:
5000 PSI FOR ALL CONCRETE

CONCRETE SHALL BE PLACED AND CURED ACCORDING TO ACI 301-05 STANDARDS AND SPECIFICATIONS.

B. SUBMIT PROPOSED MIX DESIGN WITH RECENT FIELD CYLINDER OR LAB TESTS FOR REVIEW PRIOR TO USE. ONLY TYPE II CEMENT SHALL BE USED FOR SLAB-ON-GRADE CONCRETE. MIX SHALL BE UNIQUELY IDENTIFIED BY MIX NUMBER OR OTHER POSITIVE IDENTIFICATION. MIX SHALL MEET THE REQUIREMENTS OF ASTM C33 FOR COARSE AGGREGATE. CONCRETE SHALL COMPLY WITH THE REQUIREMENTS OF ASTM STANDARD C94 FOR MEASURING, MIXING, TRANSPORTING, ETC. CONCRETE TICKETS SHALL BE TIME STAMPED WHEN CONCRETE IS BATCHED. THE MAXIMUM TIME ALLOWED FROM THE TIME THE MIXING WATER IS ADDED UNTIL IT IS DEPOSITED IN ITS FINAL POSITION SHALL NOT EXCEED ONE AND ONE HALF (1-1/2) HOURS. IF FOR ANY REASON THERE IS A LONGER DELAY THAN THAT STATED ABOVE, THE CONCRETE SHALL BE DISCARDED. IT SHALL BE THE RESPONSIBILITY OF THE TESTING LAB TO NOTIFY THE OWNER'S REPRESENTATIVE AND THE CONTRACTOR OF ANY NONCOMPLIANCE WITH THE ABOVE. SLABS SHALL BE CURED USING A DISSIPATING CURING COMPOUND MEETING ASTM STANDARD C309 TYPE 1-D AND SHALL HAVE A FUGITIVE DYE. THE COMPOUND SHALL BE PLACED AS SOON AS THE FINISHING IS COMPLETED OR AS SOON AS THE WATER HAS LEFT THE UNFINISHED CONCRETE. SCUFFED OR BROKEN AREAS IN THE CURING MEMBRANE SHALL BE RECOATED DAILY. CALCIUM CHLORIDES SHALL NOT BE UTILIZED; OTHER ADMIXTURES MAY BE USED ONLY WITH THE APPROVAL OF THE ENGINEER.

C. CONCRETE MIX DESIGNS SHALL INCLUDE A WRITTEN DESCRIPTION INDICATING WHERE EACH PARTICULAR MIX IS TO BE PLACED WITHIN THE STRUCTURE. FAILURE TO COMPLY MAY RESULT IN REJECTION OF THE MIX. IF ACCEPTED, PEA ROCK PUMP MIX USE IS LIMITED TO VERTICAL ELEMENT POURS AND BEAM POURS LESS THAN 60 LINEAL FEET PER POUR.

D. CONCRETE DESIGN MIX SUBMITTALS SHALL INCLUDE TESTED, STATISTICAL BACK-UP DATA AS PER CHAPTER 5 OF ACI 318.

E. WATER/CEMENTITIOUS MATERIAL RATIO FOR CONCRETE BELOW OR AT GRADE SHALL NOT EXCEED 0.45 BY WEIGHT. MAXIMUM PERMISSIBLE W/C 0.50 FOR ALL OTHER CONCRETE.

F. SEE MECHANICAL AND ELECTRICAL DRAWINGS FOR DRIPS, CHAMFERS, REGLETS, SLOTS, SLEEVES, ANCHORS, AND INSERTS. UNLESS SHOWN ON STRUCTURAL DRAWINGS NO OPENINGS LARGER THAN 12"x12" SHALL BE PLACED IN SLABS OR WALLS. FOR OPENINGS NOT SHOWN ON STRUCTURAL DRAWINGS, APPROVALS MUST BE OBTAINED FROM THE ENGINEER PRIOR TO FABRICATION OF STEEL AND PLACEMENT OF CONCRETE. LOCATION DRAWINGS FOR ALL SLEEVES AND BLOCKOUTS IN THE CONCRETE SHALL BE SUBMITTED FOR APPROVAL BY THE STRUCTURAL ENGINEER PRIOR TO PLACEMENT.

G. CONFORM TO ACI 308R FOR COLD WEATHER CONCRETING AND ACI 305R FOR HOT WEATHER CONCRETING WHEN ANY COMBINATION OF HIGH TEMPERATURE, LOW RELATIVE HUMIDITY AND WIND VELOCITY TEND TO IMPAIR THE QUALITY OF THE CONCRETE. CONCRETE IS TO BE REJECTED IF ITS TEMPERATURE AT TIME OF PLACEMENT IS 90°F OR ABOVE. PROTECT SURFACES OF EXPOSED CONCRETE FROM PRECIPITATION DAMAGE UNTIL ADEQUATE STRENGTH IS GAINED TO PREVENT DAMAGE.

3307 PENETRATIONS:

NO PENETRATIONS SHALL BE MADE IN ANY STRUCTURAL MEMBERS OTHER THAN THOSE SPECIFICALLY DESIGNATED ON THE STRUCTURAL DRAWINGS WITHOUT PREVIOUS APPROVAL OF THE ENGINEER. CONTRACTOR SHALL SUBMIT A PENETRATION PLAN FOR APPROVAL INDICATING ANY PENETRATIONS NOT SHOWN ON THE STRUCTURAL DRAWINGS PRIOR TO CONCRETE PLACEMENT.

3601 POST-INSTALLED ANCHORS:

A. POST-INSTALLED ANCHORS SHALL ONLY BE USED WHERE SPECIFIED ON THE DRAWINGS. ANCHOR DETAILS ARE AS FOLLOWS:

Table with 4 columns: DESIGNATION, DESCRIPTION, EMBEDMENT (UNO), MANUFACTURER. Rows include HVA, HY200, KBII, PAF, TAPCON, EPCON, WEDGE-BOLT.

B. CONTRACTOR SHALL OBTAIN APPROVAL FROM ENGINEER OF RECORD PRIOR TO USING POST-INSTALLED ANCHORS FOR MISSING OR MISPLACED CAST-IN-PLACE ANCHORS.

C. CARE SHALL BE GIVEN TO AVOID CONFLICTS WITH EXISTING REBAR WHEN DRILLING HOLES. HOLES SHALL BE DRILLED AND CLEANED PER THE MANUFACTURER'S INSTRUCTIONS.

D. UNLESS SPECIFIED OTHERWISE, ANCHORS SHALL BE EMBEDDED IN THE APPROPRIATE SUBSTRATE WITH A MINIMUM EMBEDMENT OF 8 TIMES THE NOMINAL ANCHOR DIAMETER OR THE EMBEDMENT REQUIRED TO SUPPORT THE INTENDED LOAD. ANCHORS SHALL BE INSTALLED PER THE MANUFACTURER'S INSTALLATION INSTRUCTIONS AT NOT LESS THAN MINIMUM EDGE DISTANCE AND/OR SPACING INDICATED IN THE MANUFACTURER'S LITERATURE.

E. ALL POST INSTALLED ANCHORS SHALL BE AISI 316 STAINLESS STEEL.

F. SUBSTITUTION REQUESTS SHALL BE SUBMITTED TO THE ENGINEER FOR APPROVAL.



950 Encore Way
Naples, FL 34110
Phone: (239) 254-2000
Florida Certificate of
Authorization No.1772

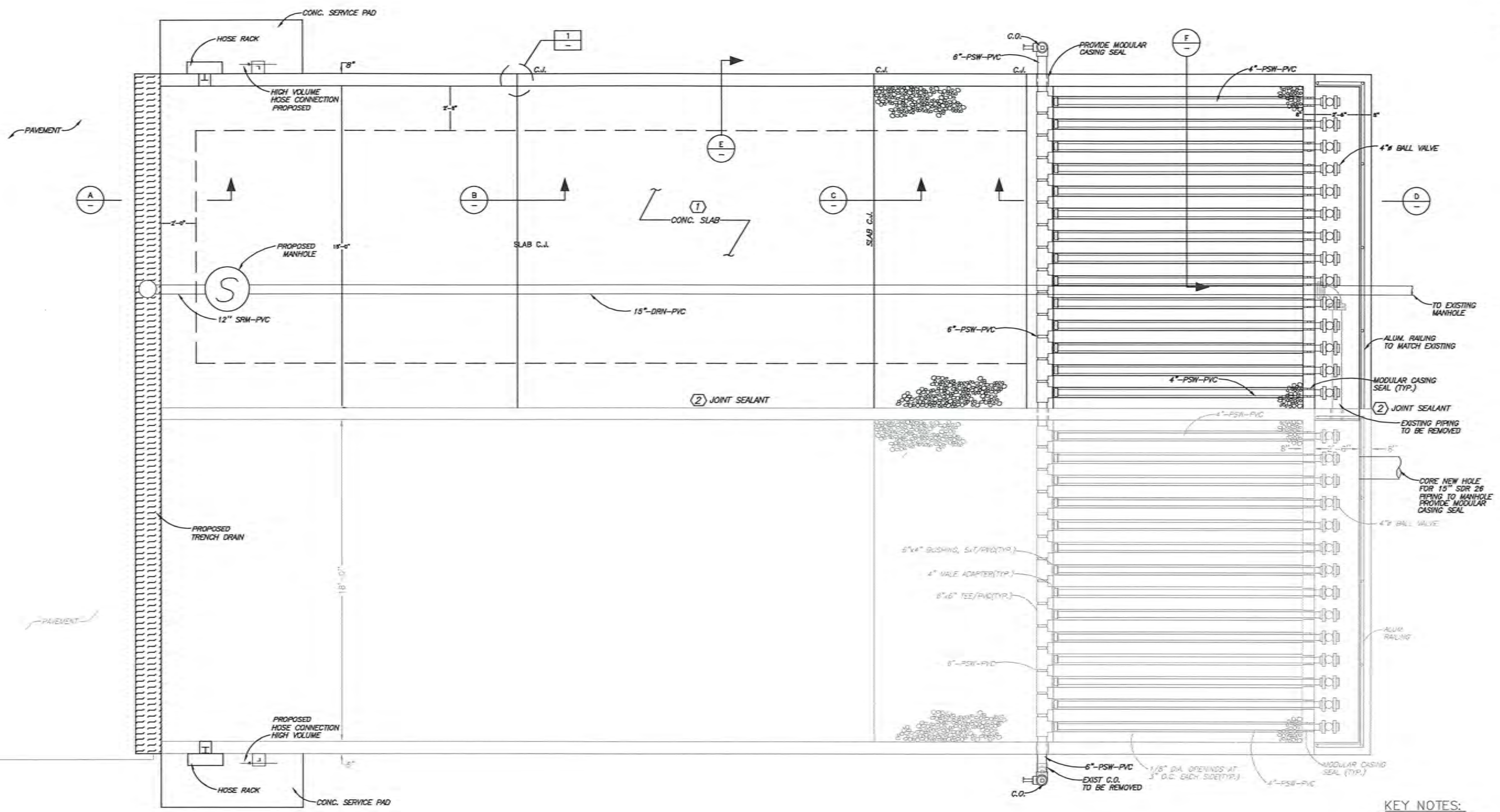
DESIGN BY: K.R.
DRAWN BY: R.V.L.
CHECKED BY: D.W.S.
CAD FILE: 2023148_MECH PLAN

ISSUED FOR BIDDING

COUNTY WATER-SEWER DISTRICT
COLLIER COUNTY, FLORIDA
NORTH COUNTY WATER RECLAMATION FACILITY
VECTOR TRUCK DISPOSAL MODIFICATION & EXPANSION
STRUCTURAL SECTION/DETAILS-DISPOSAL
FACILITY

PROJECT NO.: 2023.148
DATE: 02/24
SHEET NO.: S-1

Table with 4 columns: NO., DATE, REVISIONS, BY.



- KEY NOTES:**
- ① 10" CONC. SLAB W/ #6@12 E.W. TOP & BOTTOM ON 6 MIL. VIISQ. & 98% COMPACTED GRADE. FINISH: BROOM FINISH
 - ② JOINT SEALANT TO BE SIKA HYDROTITE CJ-1020-2K OR EQUAL. CLEAN EXIST SURFACE AND APPLY SIKA LEAKMASTER LV-Z TO EXIST SURFACE.

- PLAN NOTES:**
- 1. SEE C-DWGS FOR SITE LOCATIONS.
 - 2. SEE M-DWGS FOR ALL MECH. ITEMS & PIPING.
 - 3. SEE S-2 FOR SECTIONS AND DETAILS.



ISSUED FOR BIDDING

COUNTY WATER-SEWER DISTRICT
 COLLIER COUNTY, FLORIDA
 NORTH COUNTY WATER RECLAMATION FACILITY
 VACTOR TRUCK DISPOSAL MODIFICATION & EXPANSION
 STRUCTURAL PLAN-DISPOSAL FACILITY

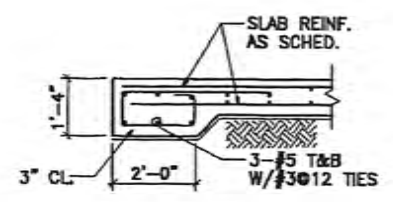
PROJECT NO.: 2023.148
 DATE: 02/24
 SHEET NO.: S-2

DESIGN BY:	K.R.
DRAWN BY:	R.V.L.
CHECKED BY:	D.W.S.
CAD FILE:	2023148_MECH PLAN

950 Encore Way
 Naples, FL 34110
 Phone: (239) 254-2000
 Florida Certificate of
 Authorization No.1772

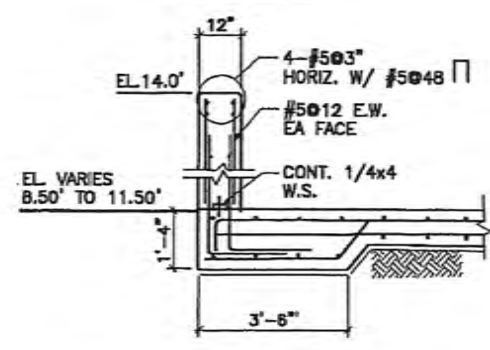
HM
 HOLE MONTES
 a Bonman company

NO.	DATE	REVISIONS	BY



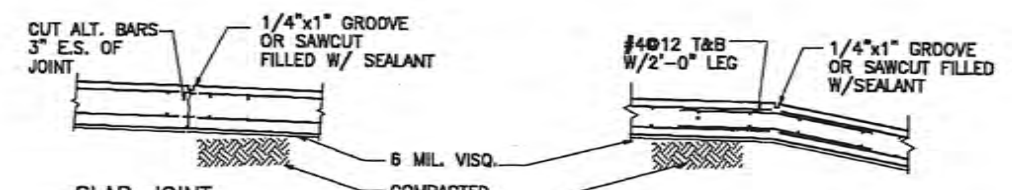
SLAB EDGE SECTION A
SCALE: 3/8"=1'-0"

NOTE:
SEE CIVIL PLAN FOR TRENCH DRAIN



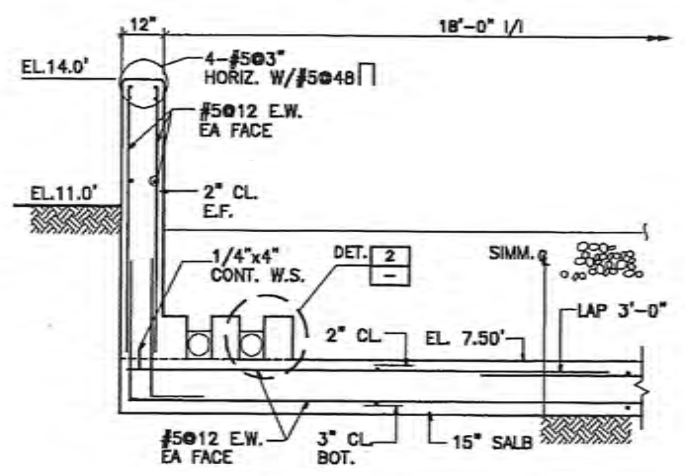
SECTION E
SCALE: 3/8"=1'-0"

NOTE:
ELEVATIONS SHALL MATCH EXIST.
EXISTING ELEVATIONS APPROX 0.08 FT. LOWER THAN SHOWN.

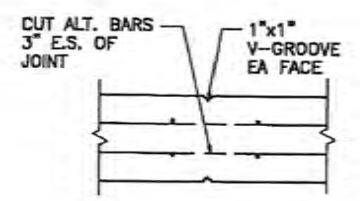


SLAB JOINT SECTION B
SCALE: 3/8"=1'-0"

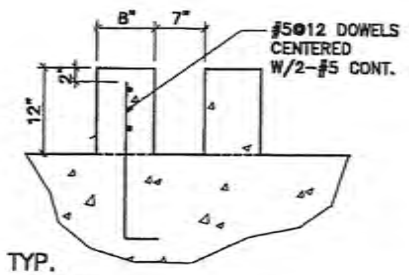
SECTION C
SCALE: 3/8"=1'-0"



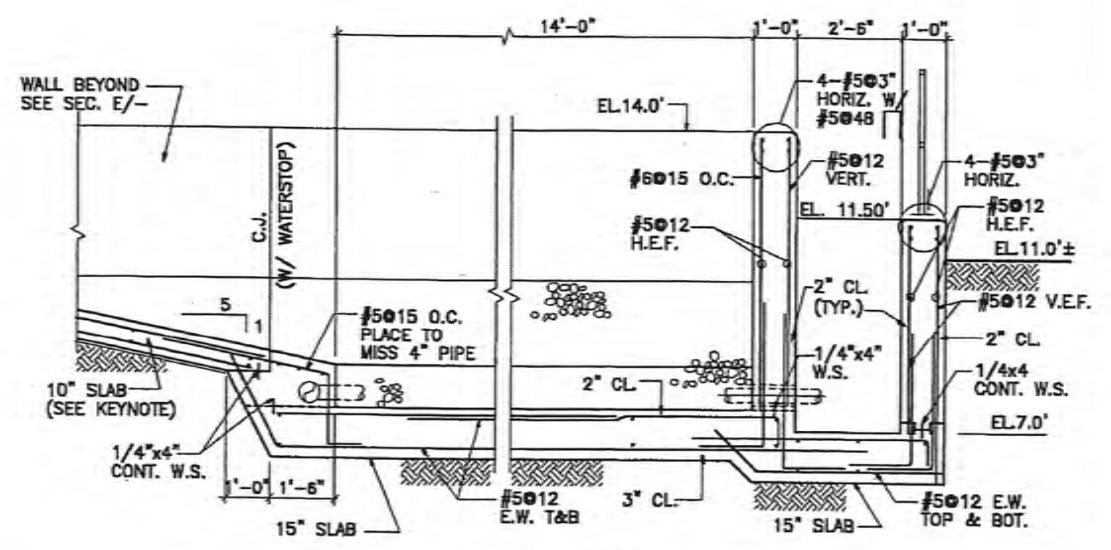
PIT SECTION F
SCALE: 3/8"=1'-0"



WALL "C.J." DETAIL 1
SCALE: 3/4"=1'-0"



TYP. DETAIL 2
SCALE: 3/4"=1'-0"

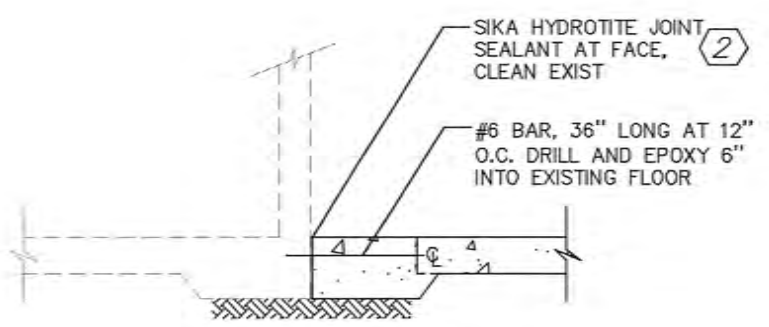


PIT SECTION D
SCALE: 3/8"=1'-0"

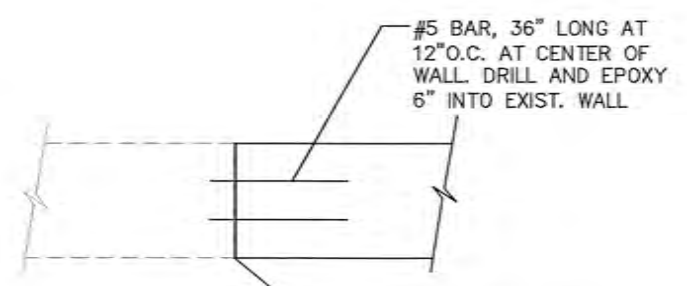
NOTE:
ELEVATIONS SHALL MATCH EXIST.
EXISTING ELEVATIONS APPROX 0.08 FT. LOWER THAN SHOWN.

- PLAN NOTES:**
- SEE C-DWGS FOR SITE LOCATIONS.
 - SEE M-DWGS FOR ALL MECH. ITEMS & PIPING.
 - WET CURE ALL WALLS FOR 7 DAYS FOLLOWED BY SEALING SURFACE W/ A CURING COMPOUND.
 - MATCH EXISTING WALL/FLOOR ELEVATIONS.

- KEYNOTES:**
- 10" CONC. SLAB W/ #6@12 E.W. TOP & BOTTOM ON 6 MIL. VIISQ. & 98% COMPACTED GRADE. FINISH: BROOM FINISH
 - JOINT SEALANT TO BE SIKA HYDROTITE CJ-1020-2K OR EQUAL. CLEAN EXIST SURFACE AND APPLY SIKA LEAKMASTER LV-Z TO EXIST SURFACE.



EXISTING/NEW FLOOR CONNECTION
NOTE:
SEE PLAN AND DETAILS FOR ADDITIONAL REINFORCEMENT



EXISTING/NEW WALL CONNECTION
NOTE:
SEE PLAN AND DETAILS FOR ADDITIONAL REINFORCEMENT



PRINTED COPIES OF THIS DOCUMENT ARE NOT CONSIDERED SEALED AND SEALED AND THE SIGNATURE MUST BE VERIFIED ON ANY ELECTRONIC COPIES

		950 Encore Way Naples, FL 34110 Phone: (239) 254-2000 Florida Certificate of Authorization No.1772	DESIGN BY: K.R. DRAWN BY: R.V.L. CHECKED BY: D.W.S. CAD FILE: 2023148_MECH PLAN			ISSUED FOR BIDDING	COUNTY WATER-SEWER DISTRICT COLLIER COUNTY, FLORIDA NORTH COUNTY WATER RECLAMATION FACILITY VACTOR TRUCK DISPOSAL MODIFICATION & EXPANSION STRUCTURAL SECTION/DETAILS-DISPOSAL FACILITY	PROJECT NO.: 2023.148 DATE: 02/24 SHEET NO.: S-3
NO.	DATE	REVISIONS	BY					